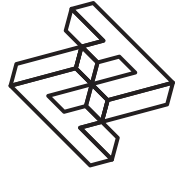
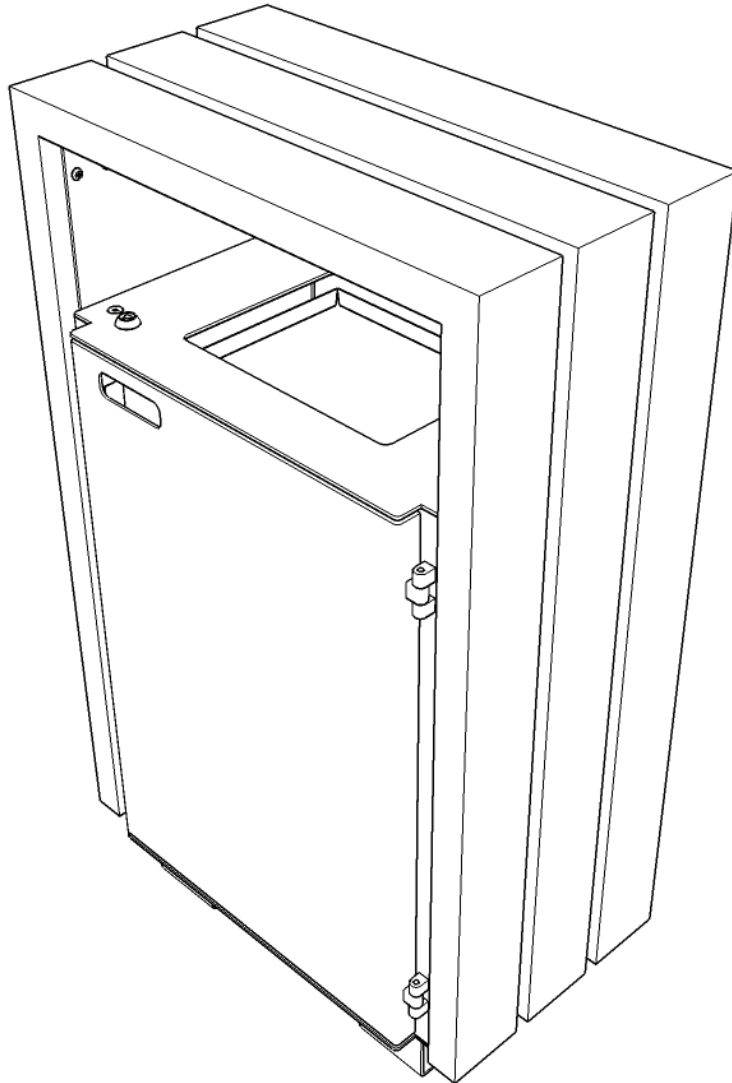


---

# FACTORY FURNITURE



BLOC bin (wood)



## Operation & Maintenance Manual

Factory Furniture Ltd | 5 Pioneer Road | Faringdon | Oxfordshire SN7 7BU | T +44 (0)1367 242731  
hello@factoryfurniture.co.uk | www.factoryfurniture.co.uk

We reserve the right to change specification without notice. © 2017 Factory Furniture Ltd

---

# Introduction

## Design

Design, shop drawings and development by Factory Furniture Ltd.

## Manufacture

Factory Furniture manufactured components. Products are assembled in Factory workshops, checked and dispatched ready for installation. Replacement products or components thereof should be ordered direct from Factory Furniture Ltd.

## Copyright

The design copyright for the product and drawing copyright remains the sole property of Factory Furniture Ltd.

# General Specifications

## Bin

*Metric* length 630mm | width 370mm | height 1050mm

*Imperial* length 2' 1" | width 1' 2½" | height 3' 5½"

**Approx Weight** 93kg

**Liner Capacity** 75ltr

**Fixing Centres** 350mm (1' 2")

# Detailed Material & Finish Specifications

## Slats

- Manufactured from FSC® certified tropical hardwood
- Slats are profiled and left untreated as standard (*oil or microporous woodstain treatment available on request*)
- Slats mounted onto removable bin surround - 4 no. fixing points for top slats and 6 no. for side slats



## Bin Surround Frame, Upper Panel and Base Assembly

- All are manufactured from hot dipped galvanised mild steel with a polyester powder coated finish (*powder coat colour grey as standard or to customer specification*)
- Bin surround frame and base assembly both feature an all welded construction
- Bin surround is removable and is fixed to base assembly and upper panel with 8 no. M8 bolts
- Bin anchored to ground using 2 no. resin fixed M10 x 130mm threaded rod anchors and nuts

## Door and Rear Panels

- Both are manufactured from stainless steel - satin polish finish and feature an all welded construction
- Rear panel is fixed to internal frame with 4 no. fixing points
- Bolt on hinged door panel allows access to removable bin liner - secured with 8mm tri-drive slam lock

## Bin Liner

- Liner is removable
- Manufactured from pre-galvanised mild steel sheet
- Drainage holes in base

# General Maintenance *(Recommended Schedule & Guidelines)*

## Daily/Weekly/Monthly *(or as adopted)*

Visual checks of bin and liner - check all items for superficial or physical damage.

## Three Monthly

Clean all items as detailed below; check all fixings are seated correctly; inspect timber for serious damage and splinters.

## Six Monthly

Secure all fixings; full clean as detailed below; check that bin is firmly secured to the ground

---

## Specific Maintenance Details

### **FSC Timber**

Clean with a stiff brush once per year, especially in more exposed locations, in order to prevent a verdigris type build up on the timber surface. Ideally this should be completed in early spring. During the cleaning stage, all exposed timber surfaces should be inspected for splits and splinters. Any splinters and graffiti should be removed and the surface sanded with 100 grit sandpaper in order to remove any uneven / sharp edges or surfaces.

*During the first few months after installation the tannin naturally occurring in the timber may leach out and cause a brown staining on the bases. This may be removed with a light solution of household bleach and water.*

### **Stainless Steel** (polished stainless steel only)

Clean as required, but at least every three months, using a stainless steel polish and a lint free cloth. To remove ground in dirt, a stainless steel finishing pad may be required.

### **Polyester Powder Coated & Galvanised**

For general cleaning using a damp cloth and warm soapy water only. Scourers and abrasive cleaners are NOT suitable for these types of finish and may damage them. Before using any cleaning agents to remove graffiti etc. try on a small, inconspicuous area first to avoid causing more unsightly damage.

## Repairs

### **FSC Timber**

For light damage, please see section on specific maintenance details above. For instances of heavy damage, the timber item should be replaced. Please order against the part number reference in the reordering section towards the end of this manual.

### **Stainless Steel**

Light damage (surface scratches etc.) can be removed using an emery pad (240 grit) and freeing oil such as 'WD40'. Care should be taken to follow the direction of the brushing grain. It is recommended that a trial repair be carried out on an unimportant surface first. No corrosive cleaners or other abrasives should be used. Any contamination, particularly carbon steel scuffs from vehicles, should be quickly removed to avoid corrosion.

### **Polyester Powder Coated Surfaces**

For light damage (scratches, chips etc.) repair using touch-up paint to match original colour (available from Factory Furniture Ltd). Paint application should be carried out in accordance with approved methods detailed by the paint manufacturer. Please note that it is advisable to use professional painters to achieve best results when touching up larger areas. Products for respraying larger areas are available from Factory Furniture Ltd.

### **Heavy Damage**

In the event of serious damage to any component, replacements should be ordered from Factory Furniture Ltd. In this event (or if the product needs to be disassembled for any reason), please contact Factory Furniture for detailed technical advice.

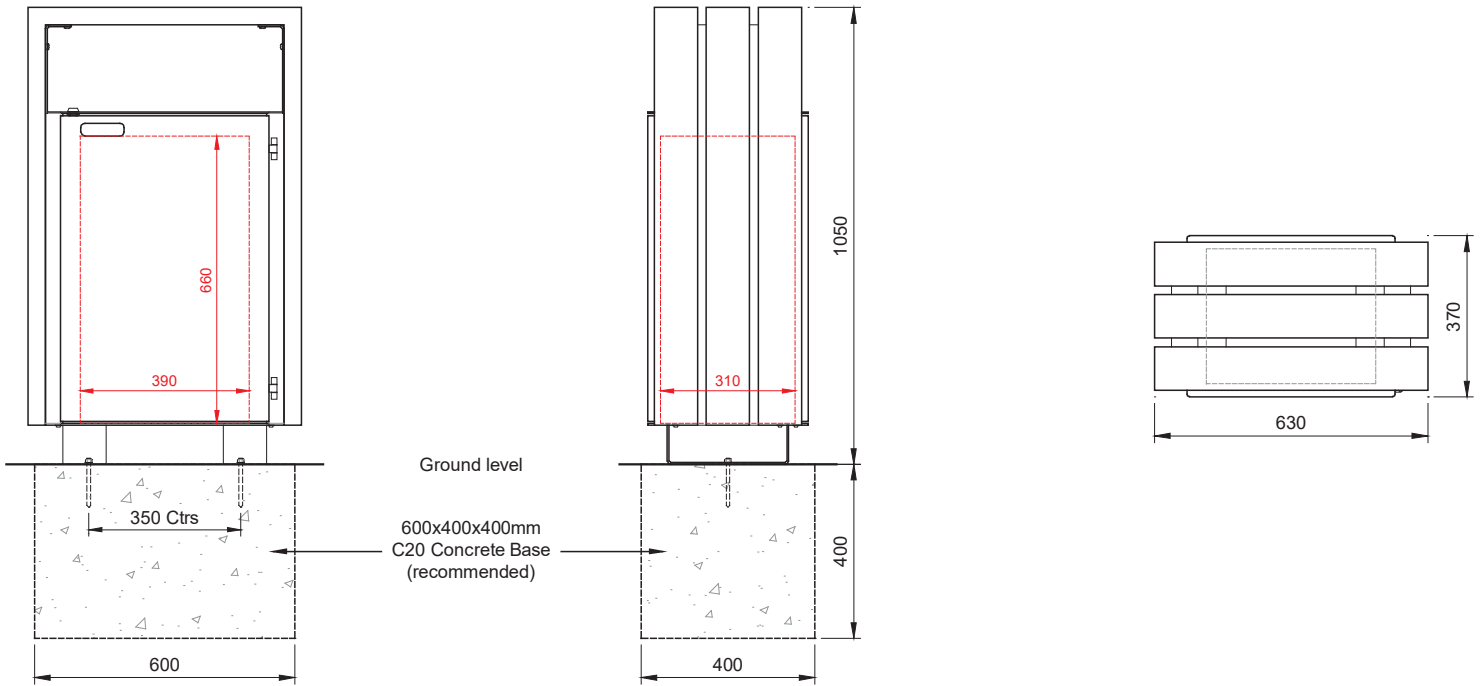
## Contacts

Factory Furniture Ltd  
5 Pioneer Road  
Faringdon, Oxon  
SN7 7BU UK

Tel +44 (0) 1367 242731  
Email [hello@factoryfurniture.co.uk](mailto:hello@factoryfurniture.co.uk)  
Web [www.factoryfurniture.co.uk](http://www.factoryfurniture.co.uk)

# Installation Instructions

**ALL INSTALLATION WORKS TO BE CARRIED OUT BY COMPETENT PERSONNEL - INSTALL AS COMPLETE UNIT**

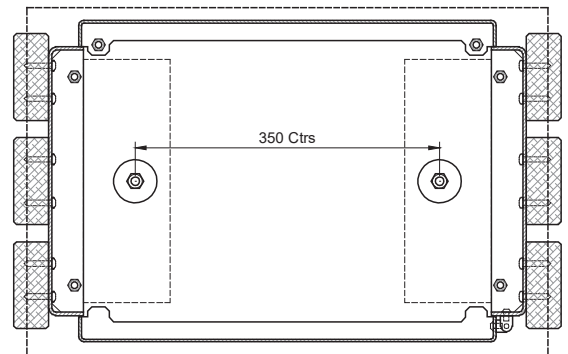
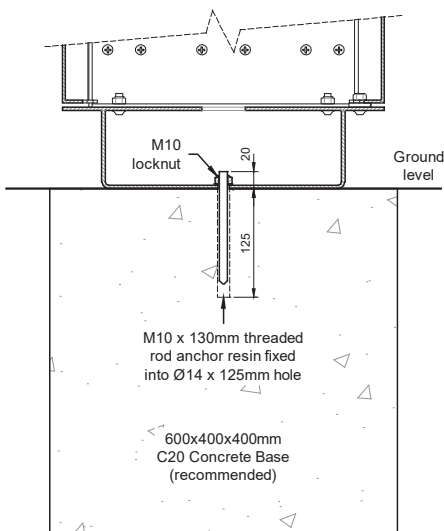


## Wood Bloc Bin

1. Install suitable foundation pad (see illustration) with top face at ground level
2. Position bin in correct orientation with base centrally on foundation pad, then mark hole positions through base plates
3. Remove the bin; drill holes  $\text{Ø}14\text{mm} \times 125\text{mm}$  deep
4. Clear debris from holes
5. Fill the holes to within approximately 35mm from the top with Hilti HY150 resin (or similar). Lift the bin (with threaded anchor rods / washers / nuts in place) and carefully lower the anchors into the holes, leave for two hours before using
6. Using a torque wrench, tighten nuts to 30Nm to fasten down the bin. Ensure bin remains level during fixing process

### IMPORTANT NOTE:

Ensure that stainless steel is protected during site cutting of stone – contamination from disc cutters will produce corrosion on stainless steel components.



Fixing detail