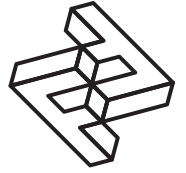
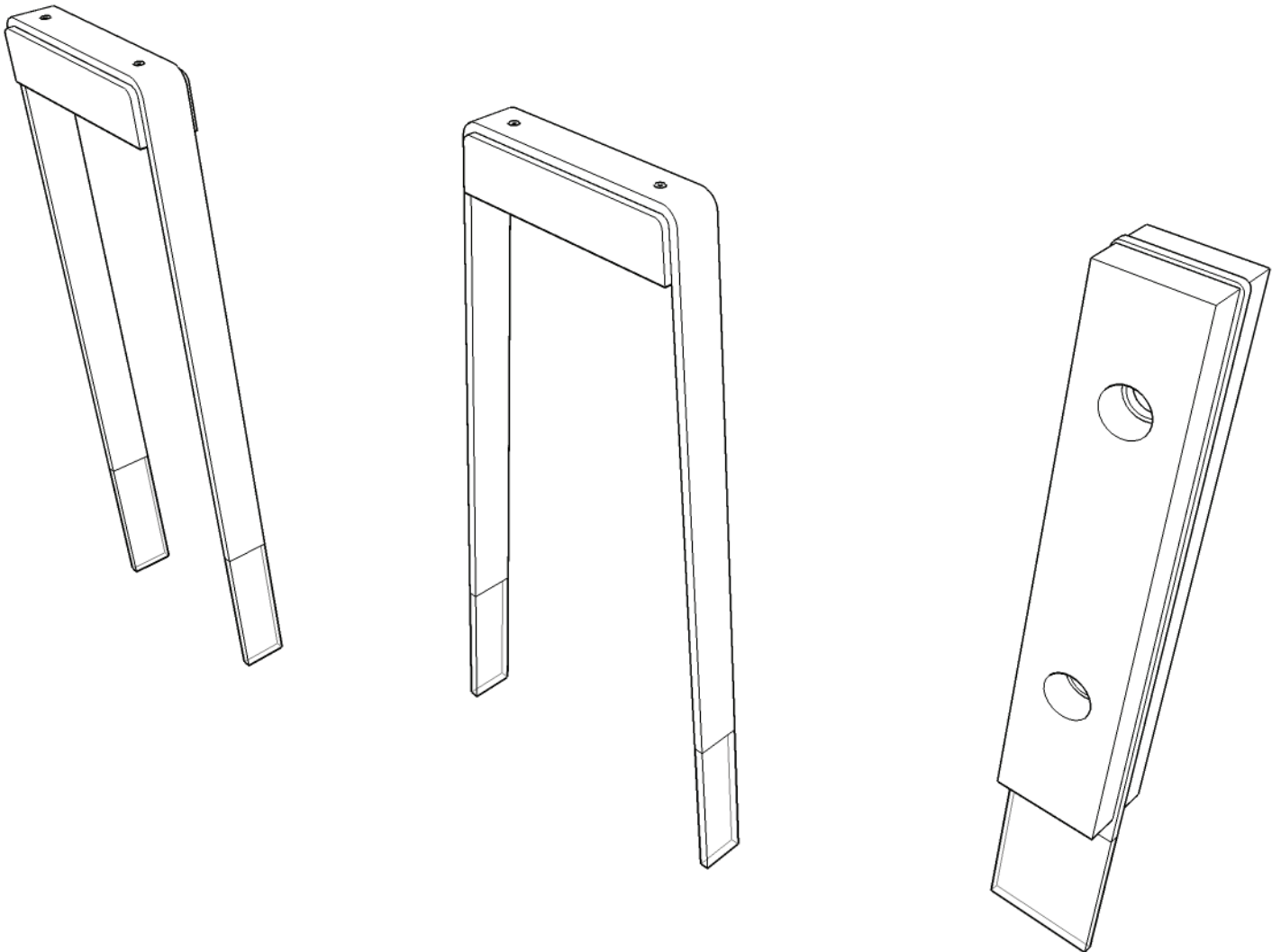


# FACTORY FURNITURE



## QUAY cycle stands



## Operation & Maintenance Manual

# Introduction

## Design

Design, shop drawings and development by Factory Furniture Ltd.

## Manufacture

Factory Furniture manufactured components. Products are assembled in Factory workshops, checked and dispatched ready for installation. Replacement products or components thereof should be ordered direct from Factory Furniture Ltd.

## Copyright

The design copyright for the product and drawing copyright remains the sole property of Factory Furniture Ltd.

# General Specifications

## QUAY Cycle Stand A

*Metric* L 335mm | W 80mm | H 725mm \*

*Imperial* length 1' 1" | width 3" | height 2' 4½" \*

\* Not incl. +200mm (8") below ground level for sub-surface fix

**Approx Weight** 13kg

## QUAY Cycle Stand B

*Metric* L 480mm | W 80mm | H 725mm \*

*Imperial* length 1' 7" | width 3" | height 2' 4½" \*

\* Not incl. +200mm (8") below ground level for sub-surface fix

**Approx Weight** 14kg

## QUAY Bollard

*Metric* L 140mm | W 100mm | H 740mm \*

*Imperial* length 5½" | width 4" | height 2' 5" \*

\* Not including +200mm (8") below ground level for sub-surface fix

**Approx Weight** 16kg

# Detailed Material & Finish Specifications

## Timber Slat(s)

- Manufactured from FSC® certified timber.
- Slats are profiled and left untreated as standard.
- Fixed to galvanised mild steel frame.



## Frame

- Manufactured from mild steel with a hot dip galvanised finish. *(Option for polyester powder coated finish available on request (any RAL colour).*
- Root fixed 200mm (8") below ground level

# General Maintenance *(Recommended Schedule & Guidelines)*

## Daily/Weekly/Monthly *(or as adopted)*

Visual checks of timber slat(s) and frame - check all items for superficial or physical damage.

## Three Monthly

Clean all items as detailed below check all fixings are seated correctly; inspect timber for serious damage and splinters.

## Six Monthly

Secure all fixings; full clean as detailed below; check that product is firmly secured to the ground

# Specific Maintenance Details

## FSC Timber

Clean with a stiff brush once per year, especially in more exposed locations, in order to prevent a verdigris type build up on the timber surface. Ideally this should be completed in early spring. During the cleaning stage, all exposed timber surfaces should be inspected for splits and splinters. Any splinters and graffiti should be removed and the surface sanded with 100 grit sandpaper in order to remove any uneven / sharp edges or surfaces.

## Galvanised & Polyester Powder Coated Surfaces

For general cleaning using a damp cloth and warm soapy water only. Scourers and abrasive cleaners are NOT suitable for this type of finish and may damage it. Before using any cleaning agents to remove graffiti etc. try on a small, inconspicuous area first to avoid causing more unsightly damage.

---

# Repairs

## **FSC Timber**

For light damage, please see section on specific maintenance details above. For instances of heavy damage, the timber item should be replaced. Please order against the part number reference in the reordering section towards the end of this manual.

## **Galvanised Surfaces**

For light damage to hot dipped galvanised finishes repair using a high performance cold galvanising zinc spray (70% zinc or above). Spray application should be carried out in accordance with approved methods detailed by the product manufacturer. Please note that it is advisable to use professional painters to achieve best results when touching up larger areas.

## **Polyester Powder Coated Surfaces**

For light damage (scratches, chips etc.) repair using touch-up paint to match original colour (available from Factory Furniture Ltd). Paint application should be carried out in accordance with approved methods detailed by the paint manufacturer. Please note that it is advisable to use professional painters to achieve best results when touching up larger areas. Products for respraying larger areas are available from Factory Furniture Ltd.

## **Heavy Damage**

In the event of serious damage to any component, replacements should be ordered from Factory Furniture Ltd. In this event (or if the product needs to be disassembled for any reason), please contact Factory Furniture for detailed technical advice.

# Contacts

Factory Furniture Ltd  
5 Pioneer Road  
Faringdon, Oxon  
SN7 7BU UK

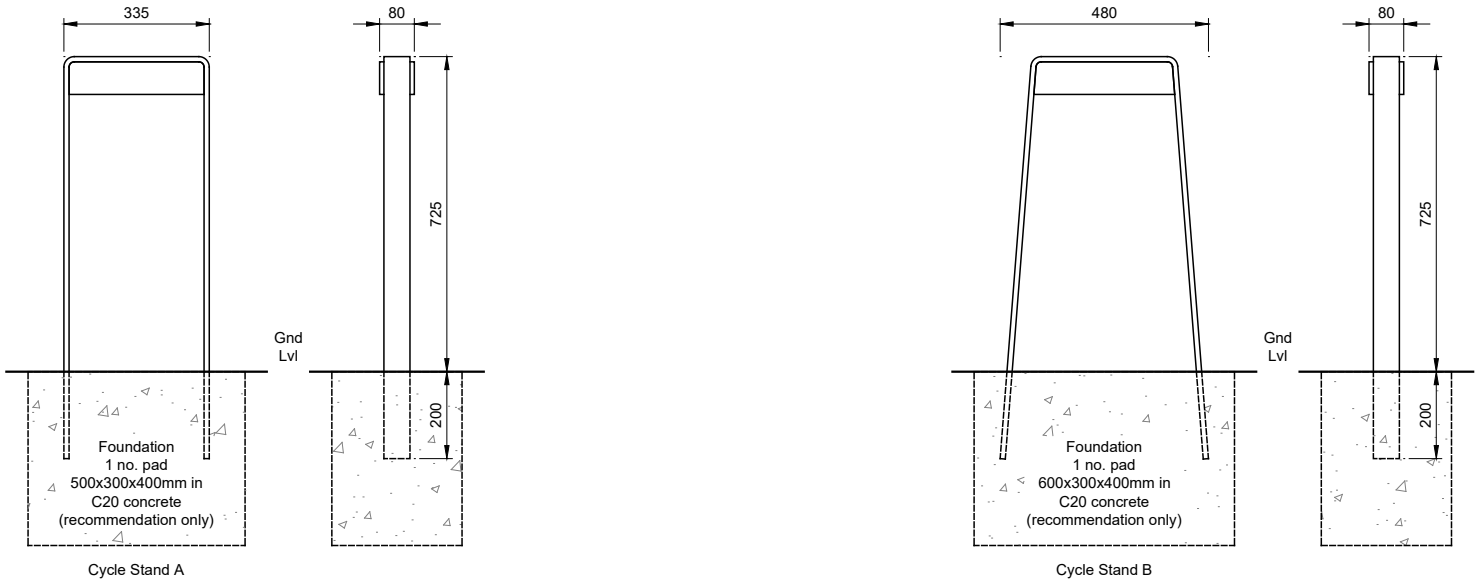
Tel +44 (0) 1367 242731

Email [hello@factoryfurniture.co.uk](mailto:hello@factoryfurniture.co.uk)

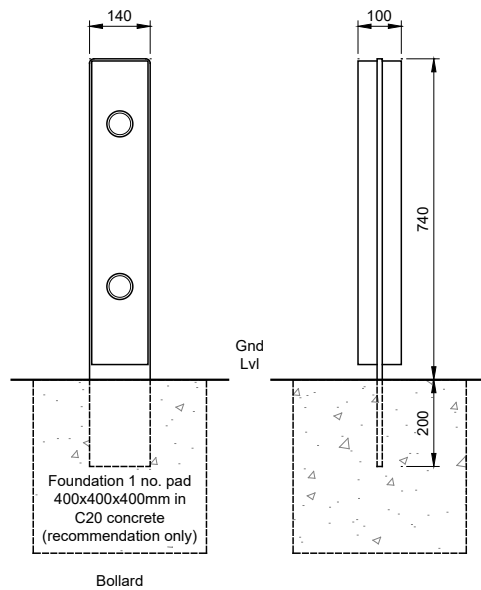
Web [www.factoryfurniture.co.uk](http://www.factoryfurniture.co.uk)

# Installation Instructions

**ALL INSTALLATION WORKS TO BE CARRIED OUT BY COMPETENT PERSONNEL - INSTALL AS COMPLETE UNIT**



## Bike Stands (Sub-surface Fix Only)



## Bollard (Sub-surface Fix Only)

### Bike Stands / Bollard (sub-surface fix only)

1. Install suitable foundation pad (see illustration) with top face at ground level
2. As soon as possible after pouring concrete for pad, position bike stand / bollard in correct orientation centrally in foundation pad. Maintain bike stand / bollard at correct height (200mm below ground) and vertical whilst concrete sets (at least 24 hours).