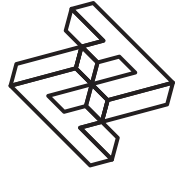
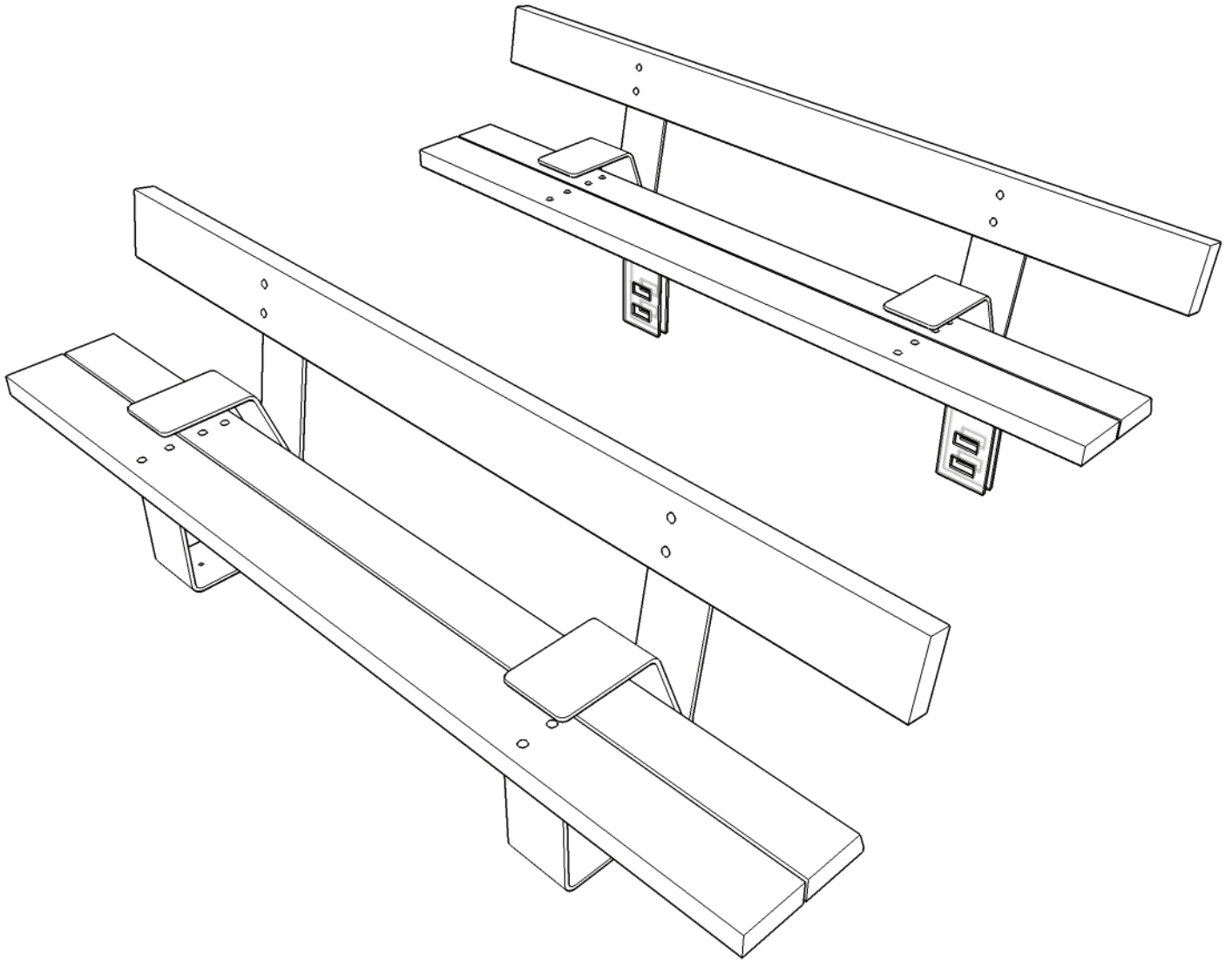


FACTORY FURNITURE



PIK seat



Operation & Maintenance Manual

Factory Furniture Ltd | 5 Pioneer Road | Faringdon | Oxfordshire SN7 7BU | T +44 (0)1367 242731
hello@factoryfurniture.co.uk | www.factoryfurniture.co.uk

We reserve the right to change specification without notice. © 2018 Factory Furniture Ltd

Introduction

Design

Design, shop drawings and development by Factory Furniture Ltd.

Manufacture

Factory Furniture manufactured components. Products are assembled in Factory workshops, checked and dispatched ready for installation. Replacement products or components thereof should be ordered direct from Factory Furniture Ltd.

Copyright

The design copyright for the product and drawing copyright remains the sole property of Factory Furniture Ltd.

General Specifications

Seat (Surface fix option)

Metric length 3000mm | width 610mm | height 895mm

Imperial length 9' 10" | width 2' 0" | height 2' 11"

Approx Weight 213kg

Fixing Centres 1600mm (5' 3") x 300mm (1' 0")

Seat (Sub-surface fix option)

Metric length 3000mm | width 610mm | height 895mm *

Imperial length 9' 10" | width 2' 0" | height 2' 11" *

* Not including +300mm (12") below ground level for root fix

Approx Weight 204kg

Fixing Centres 1600mm (5' 3")

Detailed Material & Finish Specifications

Seat Slats

- Manufactured from FSC® Siberian Larch (*other FSC options available including tanalised (pressure treated) softwood, tropical hardwood (e.g. Cumaru) or Shou Sugi Ban (charred)*)
- Slats are profiled and left untreated as standard
- Bolted to frame with 4 no. fixing points per slat



Frame

- Manufactured from mild steel with a hot dip galvanised finish. Polyester powder coated finish available on request (any RAL colour)
- Frame elements bolted together with 4 no. M12x70mm csk bolts, nuts and M12 armour rings (anti-vandal)
- Surface fix option - legs bolted to concrete foundation pads fixed with 4 no. sleeve anchors per seat
- Sub-surface fix option - legs root fixed into concrete foundation pads

General Maintenance *(Recommended Schedule & Guidelines)*

Daily/Weekly/Monthly *(or as adopted)*

Visual checks of slats and frame - check all items for superficial or physical damage.

Three Monthly

Clean all items as detailed below check all fixings are seated correctly; inspect timber for serious damage and splinters.

Six Monthly

Secure all fixings; full clean as detailed below; check that seat is firmly secured in the ground

Specific Maintenance Details

FSC Timber

Clean with a stiff brush once per year, especially in more exposed locations, in order to prevent a verdigris type build up on the timber surface. Ideally this should be completed in early spring. During the cleaning stage, all exposed timber surfaces should be inspected for splits and splinters. Any splinters and graffiti should be removed and the surface sanded with 100 grit sandpaper to remove any uneven / sharp edges or surfaces.

Galvanised & Polyester Powder Coated Surfaces

For general cleaning using a damp cloth and warm soapy water only. Scourers and abrasive cleaners are NOT suitable for this type of finish and may damage it. Before using any cleaning agents to remove graffiti etc. try on a small, inconspicuous area first to avoid causing more unsightly damage.

Repairs

FSC Timber

For light damage, please see section on specific maintenance details above. For instances of heavy damage, the timber item should be replaced. Please order against the part number reference in the reordering section towards the end of this manual.

Galvanised Surfaces

For light damage to hot dipped galvanised finishes repair using a high performance cold galvanising zinc spray (70% zinc or above). Spray application should be carried out in accordance with approved methods detailed by the product manufacturer. Please note that it is advisable to use professional painters to achieve best results when touching up larger areas.

Polyester Powder Coated Surfaces

For light damage (scratches, chips etc.) repair using touch-up paint to match original colour (available from Factory Furniture Ltd). Paint application should be carried out in accordance with approved methods detailed by the paint manufacturer. Please note that it is advisable to use professional painters to achieve best results when touching up larger areas. Products for respraying larger areas are available from Factory Furniture Ltd.

Heavy Damage

In the event of serious damage to any component, replacements should be ordered from Factory Furniture Ltd. In this event (or if the product needs to be disassembled for any reason), please contact Factory Furniture for detailed technical advice.

Contacts

Factory Furniture Ltd
5 Pioneer Road
Faringdon, Oxon
SN7 7BU UK

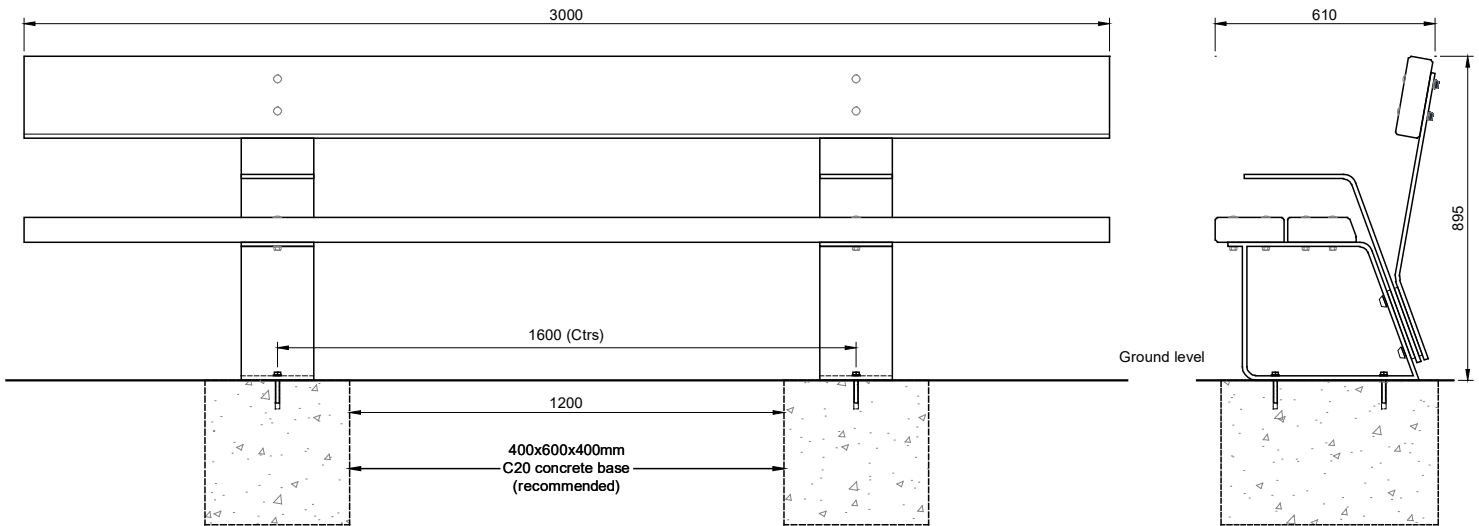
Tel +44 (0) 1367 242731

Email hello@factoryfurniture.co.uk

Web www.factoryfurniture.co.uk

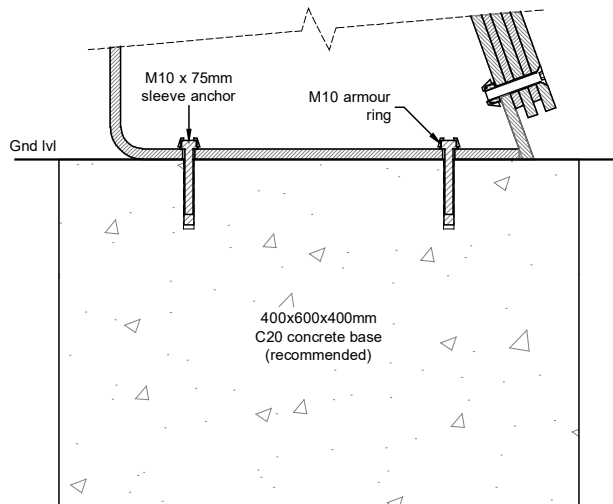
Installation Instructions

ALL INSTALLATION WORKS TO BE CARRIED OUT BY COMPETENT PERSONNEL - INSTALL AS COMPLETE UNIT



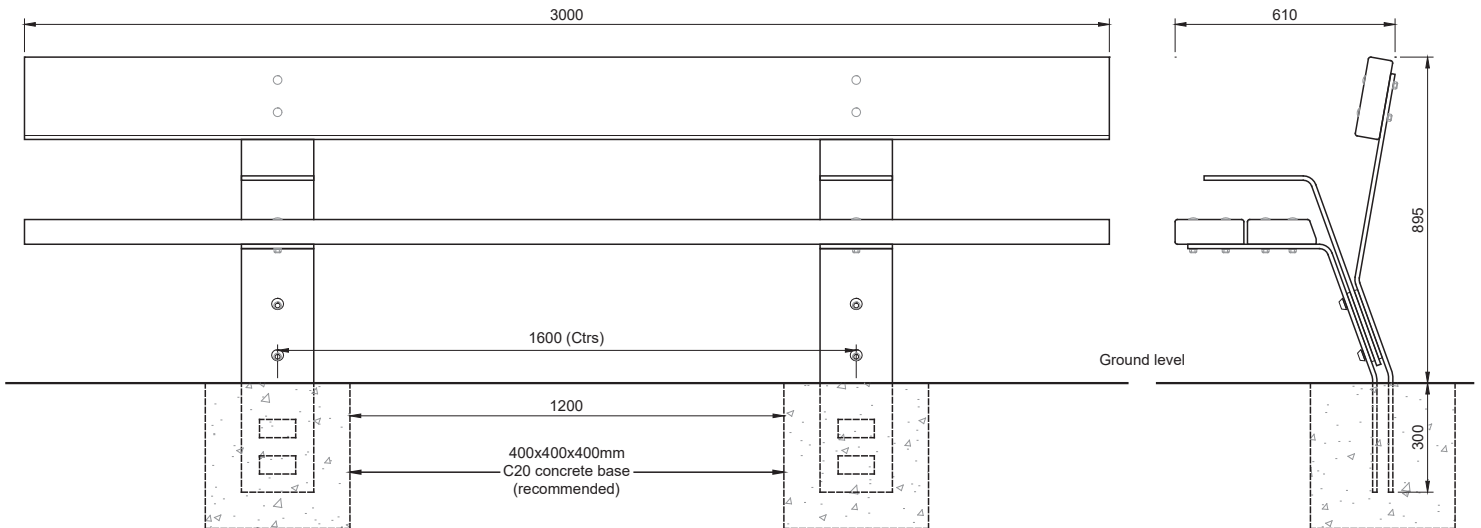
Pik seat (Surface fix option)

1. Position seat in correct orientation with bases centrally on foundation pads; then mark hole positions through base plates
2. Remove the seat; drill holes $\text{\O}12\text{mm}$ x 90mm deep (or as bolt manufacturer's recommendations)
3. Clear debris from holes
4. Reposition seat unit and fix to foundation pads using 2 no. zinc-coated M10 x 75mm sleeve anchors per base tightened to 50Nm (or as per manufacturer's instruction). Ensure seat remains level during fixing process. Hammer an anti-vandal armour ring over each bolt head to prevent tampering.
5. Check level and reinstate ground if necessary



Installation Instructions

ALL INSTALLATION WORKS TO BE CARRIED OUT BY COMPETENT PERSONNEL - INSTALL AS COMPLETE UNIT



Pik seat (Sub-surface fix option)

1. Install suitable foundation pads (see illustration) each with top face at ground level
2. As soon as possible after pouring concrete for pad, position seat in correct position with each frame leg centrally in its foundation pad
3. Check level
4. Maintain seat at correct height (895mm above ground) and vertical whilst concrete sets (at least 24 hours)

