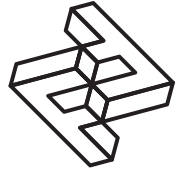
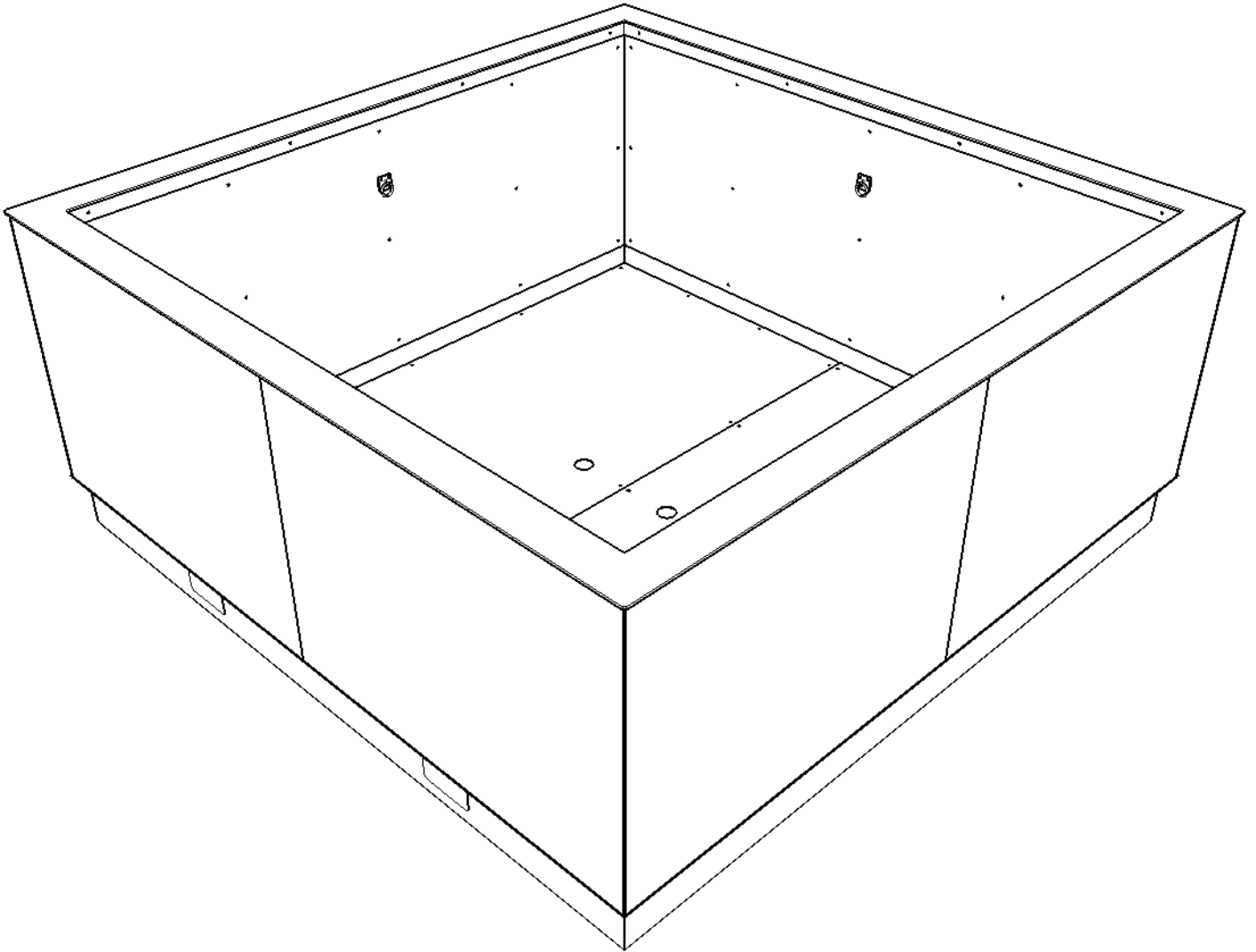


# FACTORY FURNITURE



TREE planter - granite



## Operation & Maintenance Manual

Factory Furniture Ltd | 5 Pioneer Road | Faringdon | Oxfordshire SN7 7BU | T +44 (0)1367 242731  
hello@factoryfurniture.co.uk | www.factoryfurniture.co.uk

We reserve the right to change specification without notice. © 2017 Factory Furniture Ltd

---

# Introduction

## Design

Design, shop drawings and development by Factory Furniture Ltd.

## Manufacture

Factory Furniture manufactured components. Products are assembled in Factory workshops, checked and dispatched ready for installation. Replacement products or components thereof should be ordered direct from Factory Furniture Ltd.

## Copyright

The design copyright for the product and drawing copyright remains the sole property of Factory Furniture Ltd.

# General Specifications

## Granite TREE Planter

*Metric* length 2000mm | width 2000mm | height 900mm

*Imperial* length 6' 6½" | width 6' 6½" | height 2' 11½"

**Approx Weight** 1074kg

**Liner Capacity** 2300ltr

**Forklift Centres** 890mm (2' 11")

# Detailed Material & Finish Specifications

## Side Panels

- Manufactured from granite tiles - edges chamfered and flamed finish on outer surface
- Adhered to pre-galvanised mild steel backer board using a suitable flexible adhesive

## Internal Frame Assembly

- Manufactured from mild steel box section with an all welded construction and hot dip galvanised finish
- Frame has an integrated pre-galvanised mild steel sheet liner - after assembly liner joints are sealed using exterior grade silicon sealant. Liner (inner) and tile backer panels (outer) are screwed to internal frame
- Drainage holes in base liner panels

## Rim

- Manufactured from stainless steel - satin polish finish and featuring an all welded construction
- Downstand secured to planter frame assembly

---

## General Maintenance *(Recommended Schedule & Guidelines)*

### **Daily/Weekly/Monthly** *(or as adopted)*

Visual checks of planter - check all items for superficial or physical damage.

### **Three Monthly**

Clean all items as detailed below check all fixings are seated correctly.

### **Six Monthly**

Secure all fixings; full clean as detailed below

## Specific Maintenance Details

### **FSC Timber**

Clean with a stiff brush once per year, especially in more exposed locations, in order to prevent a verdigris type build up on the timber surface. Ideally this should be completed in early spring. During the cleaning stage, all exposed timber surfaces should be inspected for splits and splinters. Any splinters and graffiti should be removed and the surface sanded with 100 grit sandpaper in order to remove any uneven / sharp edges or surfaces.

*During the first few months after installation the tannin naturally occurring in the timber may leach out and cause a brown staining on the bases. This may be removed with a light solution of household bleach and water.*

### **Stainless Steel** *(polished stainless steel only)*

Clean as required, but at least every three months, using a stainless steel polish and a lint free cloth. To remove ground in dirt, a stainless steel finishing pad may be required.

### **Galvanised**

For general cleaning using a damp cloth and warm soapy water only. Scourers and abrasive cleaners are NOT suitable for these types of finish and may damage them. Before using any cleaning agents to remove graffiti etc. try on a small, inconspicuous area first to avoid causing more unsightly damage.

## Repairs

### **FSC Timber**

For light damage, please see section on specific maintenance details above. For instances of heavy damage, the timber item should be replaced. Please order against the part number reference in the reordering section towards the end of this manual.

### **Stainless Steel**

Light damage (surface scratches etc.) can be removed using an emery pad (240 grit) and freeing oil such as 'WD40'. Care should be taken to follow the direction of the brushing grain. It is recommended that a trial repair be carried out on an unimportant surface first. No corrosive cleaners or other abrasives should be used. Any contamination, particularly carbon steel scuffs from vehicles, should be quickly removed to avoid corrosion.

### **Galvanised**

For light damage to hot dipped galvanised finishes repair using a high performance cold galvanising zinc spray (70% zinc or above). Spray application should be carried out in accordance with approved methods detailed by the product manufacturer. Please note that it is advisable to use professional painters to achieve best results when touching up larger areas.

### **Heavy Damage**

In the event of serious damage to any component, replacements should be ordered from Factory Furniture Ltd. In this event (or if the product needs to be disassembled for any reason), please contact Factory Furniture for detailed technical advice.

## Contacts

Factory Furniture Ltd  
5 Pioneer Road  
Faringdon, Oxon  
SN7 7BU UK

Tel +44 (0) 1367 242731

Email [hello@factoryfurniture.co.uk](mailto:hello@factoryfurniture.co.uk)

Web [www.factoryfurniture.co.uk](http://www.factoryfurniture.co.uk)