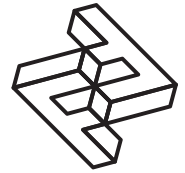
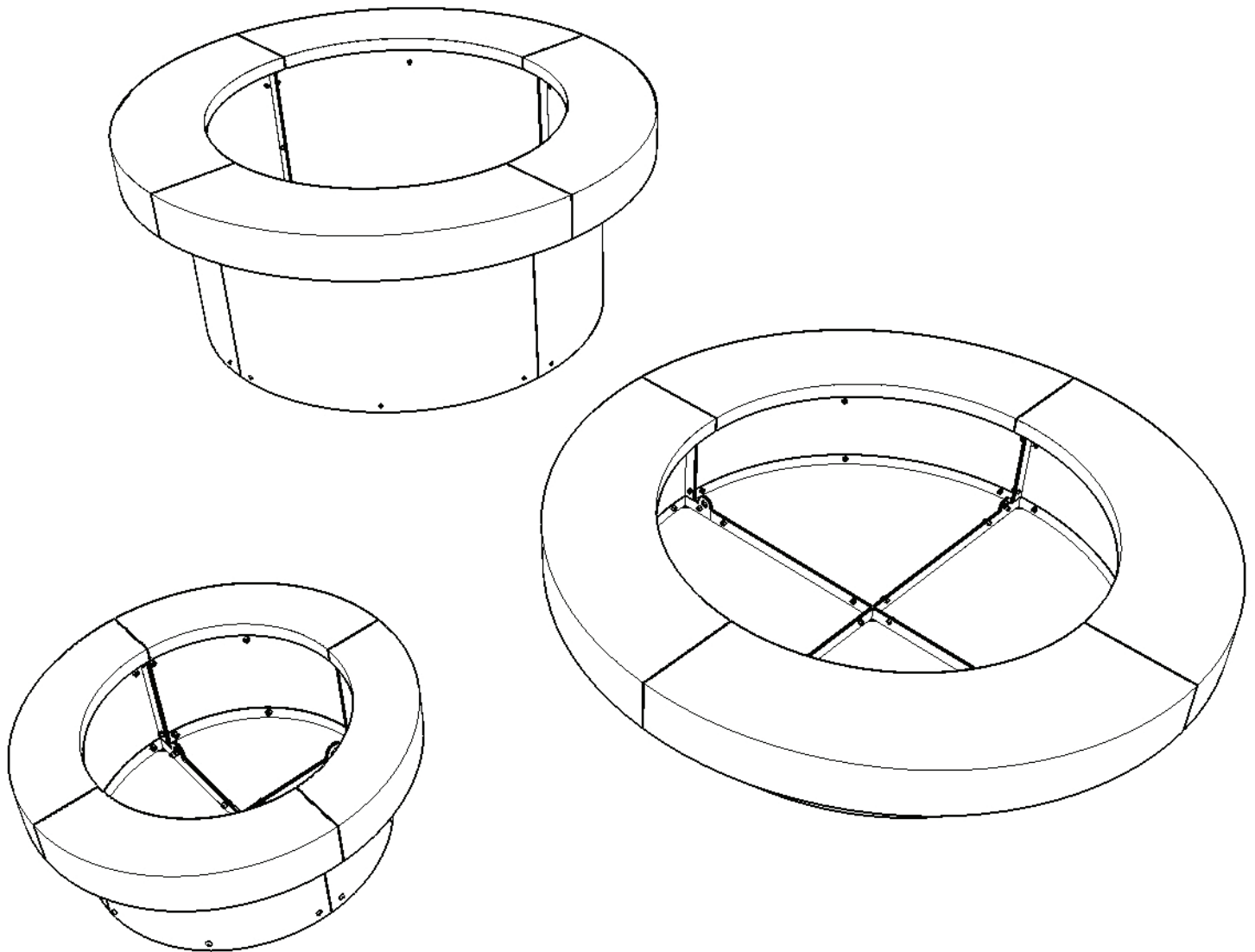


---

# FACTORY FURNITURE



## TOPHAT Planters



# Operation & Maintenance Manual

Factory Furniture Ltd | 5 Pioneer Road | Faringdon | Oxfordshire SN7 7BU | T +44 (0)1367 242731  
hello@factoryfurniture.co.uk | www.factoryfurniture.co.uk

We reserve the right to change specification without notice. © 2017 Factory Furniture Ltd

---

# Introduction

## Design

Design, shop drawings and development by Factory Furniture Ltd.

## Manufacture

Factory Furniture manufactured components. Products are assembled in Factory workshops, checked and dispatched ready for installation. Replacement products or components thereof should be ordered direct from Factory Furniture Ltd.

## Copyright

The design copyright for the product and drawing copyright remains the sole property of Factory Furniture Ltd.

# General Specifications

## Ø1.2 x 0.5m Planter

*Metric* length 1200mm | width 1200mm | height 500mm

*Imperial* length 3' 11" | width 3' 11" | height 1' 7½"

**Approx Weight** 141kg

**Liner Capacity** 300ltr

## Ø2.4 x 0.5m Planter

*Metric* length 2400mm | width 2400mm | height 500mm

*Imperial* length 7' 10½" | width 7' 10½" | height 1' 7½"

**Approx Weight** 335kg

**Liner Capacity** 1200ltr

## Ø2.4 x 1.0m Planter

*Metric* length 2400mm | width 2400mm | height 1000mm

*Imperial* length 7' 10½" | width 7' 10½" | height 3' 3½"

**Approx Weight** 437kg

**Liner Capacity** 2600ltr

*N.b. Typically the planters are not fixed to the ground. They are also not designed to be moved once filled with planting material.*

# Detailed Material & Finish Specifications

## Top, Side & Base Assemblies

- Top, side and base assemblies manufactured from lasercut mild steel sheet\* (*all welded construction*).
- Mild steel assemblies are hot dip galvanised and polyester powder coated (*colour grey as standard or to customer specification*).
- Assemblies are bolted together using M10 bolts and locknuts to form planter.
- 4 no. Integral lifting eyes are provided to aid transport and positioning on site.

\* Option for Corten steel available

---

## General Maintenance *(Recommended Schedule & Guidelines)*

### **Daily/Weekly/Monthly** *(or as adopted)*

Visual checks of planter - check over for superficial or physical damage.

### **Three Monthly**

Clean all items as detailed below check all fixings are seated correctly.

### **Six Monthly**

Secure all fixings; full clean as detailed below.

## Specific Maintenance Details

### **Polyester Powder Coated & Galvanised**

For general cleaning using a damp cloth and warm soapy water only. Scourers and abrasive cleaners are NOT suitable for this type of finish and may damage it. Before using any cleaning agents to remove graffiti etc. try on a small, inconspicuous area first to avoid causing more unsightly damage.

### **Corten Steel**

For general cleaning using a damp cloth and warm soapy water. Before using any cleaning agents to remove graffiti etc. try on a small, inconspicuous area first to avoid causing more unsightly damage.

## Repairs

### **Polyester Powder Coated & Galvanised Surfaces**

For light damage (scratches, chips etc.) repair using touch-up paint to match original colour (available from Factory Furniture Ltd). Paint application should be carried out in accordance with approved methods detailed by the paint manufacturer. Please note that it is advisable to use professional painters to achieve best results when touching up larger areas. Products for respraying larger areas are available from Factory Furniture Ltd.

### **Corten Steel**

Over a short period of time Corten steel forms a rust patina over exposed surfaces which protects the underlying material from further corrosion. Any light scratches etc. will be covered in this way and so no action is necessary.

### **Heavy Damage**

In the event of serious damage to any component, replacements should be ordered from Factory Furniture Ltd. Should further assistance be required (or if the product needs to be disassembled for any reason), please contact Factory Furniture for detailed technical advice.

## AutoCAD Drawing List

|             |                           |  |
|-------------|---------------------------|--|
| FF4003 / 01 | Ø1.2M TOPHAT TREE PLANTER | GENERAL ARRANGEMENT DRAWING                            |
| FF4003 / 02 | Ø1.2M TOPHAT TREE PLANTER | PART DETAIL DRAWINGS TOP ASSEMBLY                      |
| FF4003 / 03 | Ø1.2M TOPHAT TREE PLANTER | PART DETAIL DRAWINGS SIDE ASSEMBLY                     |
| FF4003 / 04 | Ø1.2M TOPHAT TREE PLANTER | PART DETAIL DRAWINGS BASE ASSEMBLY                     |
| FF4003 / 05 | Ø1.2M TOPHAT TREE PLANTER | PART DETAIL DRAWINGS SPACER PARTS                      |
| FF4003 / 06 | Ø2.4M TOPHAT TREE PLANTER | GENERAL ARRANGEMENT DRAWING (0.5M PLANTER)             |
| FF4003 / 07 | Ø2.4M TOPHAT TREE PLANTER | GENERAL ARRANGEMENT DRAWING (1.0M PLANTER)             |
| FF4003 / 08 | Ø2.4M TOPHAT TREE PLANTER | PART DETAIL DRAWINGS TOP ASSEMBLY (0.5/1.0m Planter)   |
| FF4003 / 09 | Ø2.4M TOPHAT TREE PLANTER | PART DETAIL DRAWINGS SIDE ASSEMBLY (0.5M PLANTER)      |
| FF4003 / 10 | Ø2.4M TOPHAT TREE PLANTER | PART DETAIL DRAWINGS SIDE ASSEMBLY (1.0M PLANTER)      |
| FF4003 / 11 | Ø2.4M TOPHAT TREE PLANTER | PART DETAIL DRAWINGS BASE ASSEMBLY (0.5/1.0M Planters) |
| FF4003 / 12 | Ø2.4M TOPHAT TREE PLANTER | PART DETAIL DRAWINGS SPACER PARTS (0.5/1.0M Planters)  |

## Contacts

Factory Furniture Ltd  
5 Pioneer Road  
Faringdon, Oxon  
SN7 7BU UK

Tel +44 (0) 1367 242731

Email [hello@factoryfurniture.co.uk](mailto:hello@factoryfurniture.co.uk)

Web [www.factoryfurniture.co.uk](http://www.factoryfurniture.co.uk)