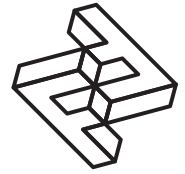
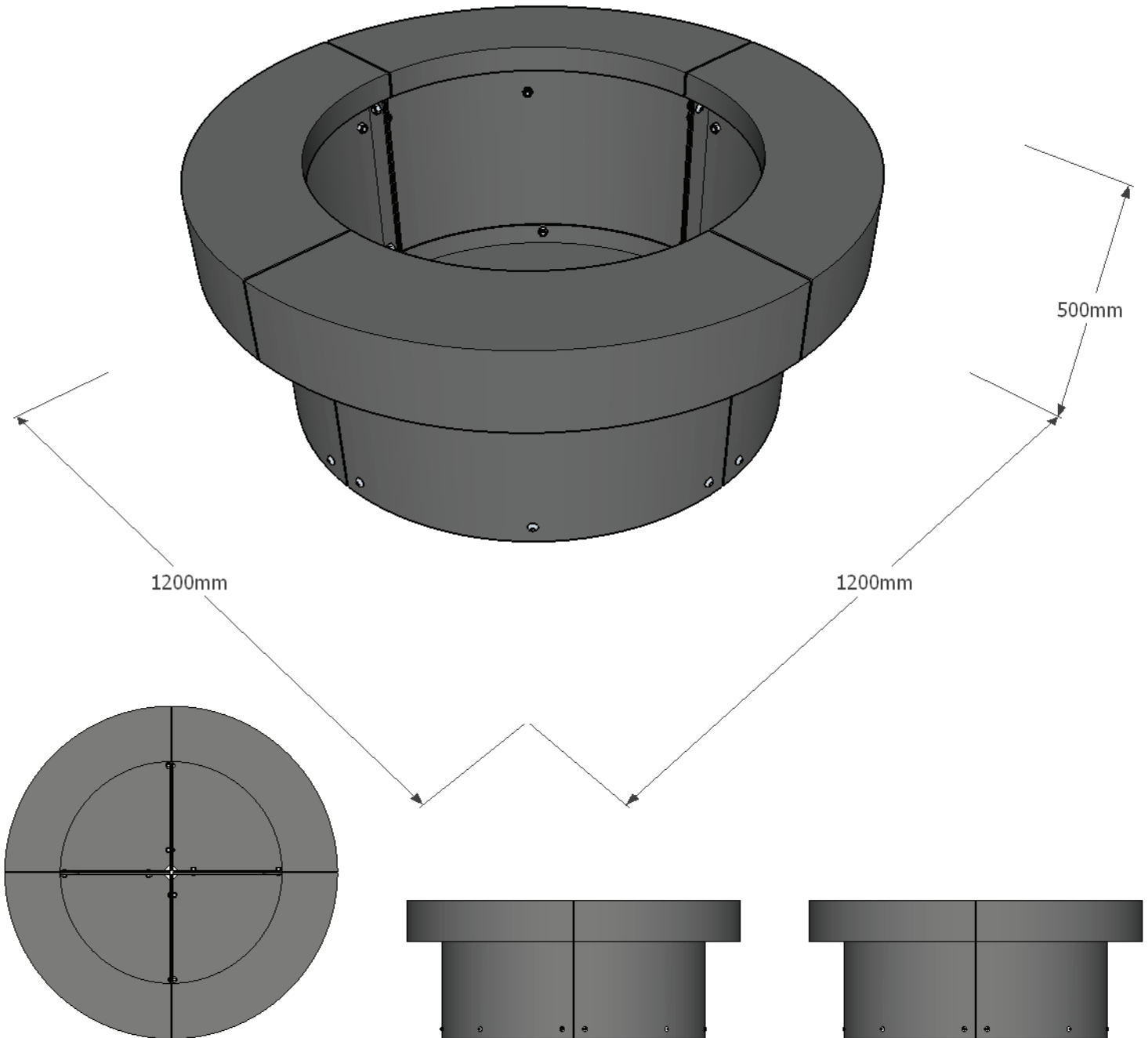


# FACTORY FURNITURE



## TOPHAT planter (1.2 x 0.5m)



### SPECIFICATIONS

#### Composition

Galvanised mild steel\* or option for Corten steel

#### Finish

Polyester powder coated finish (colour - grey as standard or to customer specification)

#### Dimensions

*Metric* L 1200mm | width 1200mm | height 500mm

*Imperial* L 3' 11½" | width 3' 11½" | height 1' 7½"

**Planter capacity** 300ltrs

**Approx weight** 141kg

#### Handling

Please observe health & safety lifting guidelines. A fork lift or crane will be required for off-loading and positioning of item. Integral lifting eyes provided.

#### Maintenance

Depends on usage and position. All elements require annual cleaning. Galvanised and powder coated mild steel parts only require maintenance if damaged. Corten steel requires no maintenance.

*\*Please note that when a powdercoat is applied over a hot dip galvanised surface pinholing can occur in the surface finish - this is not considered a defect.*