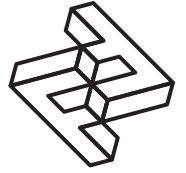
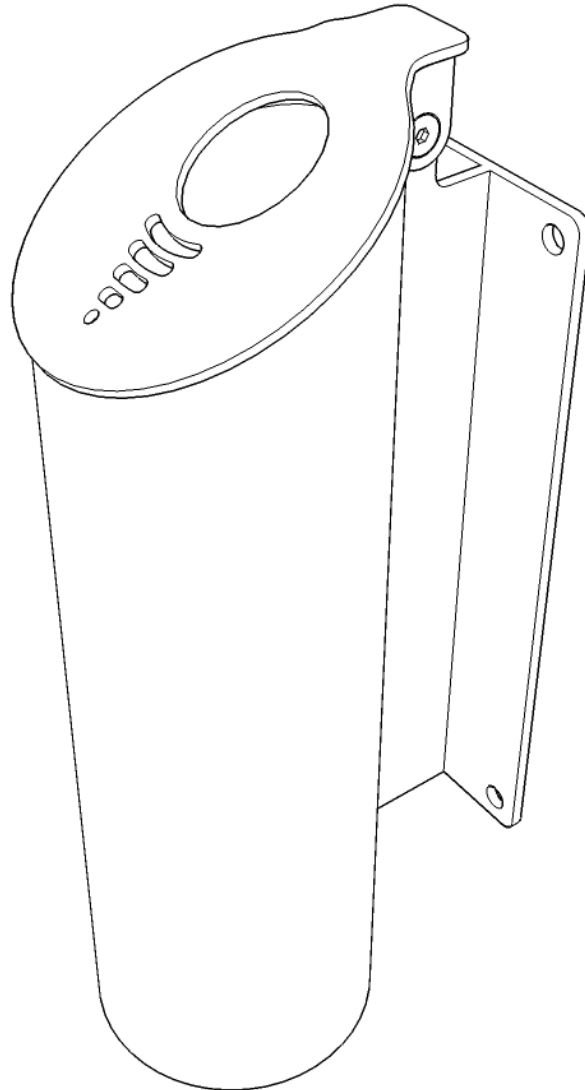


---

# FACTORY FURNITURE



WALL MOUNTED ashtray



## Operation & Maintenance Manual

---

# Introduction

## Design

Design, shop drawings and development by Factory Furniture Ltd.

## Manufacture

Factory Furniture manufactured components. Products are assembled in Factory workshops, checked and dispatched ready for installation. Replacement products or components thereof should be ordered direct from Factory Furniture Ltd.

## Copyright

The design copyright for the product and drawing copyright remains the sole property of Factory Furniture Ltd.

# General Specifications

## Bin

*Metric* length 105mm | width 155mm | height 350mm

*Imperial* length 4" | width 6" | height 1' 2"

**Approx Weight** 4.5kg

**Liner Capacity** 1.5ltr

**Fixing Centres** 60mm (2½") x 230mm (9")

# Detailed Material & Finish Specifications

## Ashtray Body and Lid

- Manufactured from stainless steel with satin polished finish
- Hinged lid for access to liner
- Anchored using 4 no. M6 x 45mm button head sleeve anchors per ashtray

## Ashtray Liner

- Liner is removable
- Manufactured from mild steel with a hot dipped galvanised finish

# General Maintenance *(Recommended Schedule & Guidelines)*

## Daily/Weekly/Monthly *(or as adopted)*

Visual checks of ashtray and liner - check all items for superficial or physical damage.

## Three Monthly

Clean all items as detailed below check all fixings are seated correctly.

## Six Monthly

Secure all fixings; full clean as detailed below; check that ashtray is firmly secured to the wall

# Specific Maintenance Details

## Stainless Steel *(polished stainless steel only)*

Clean as required, but at least every three months, using a stainless steel polish and a lint free cloth. To remove ground in dirt, a stainless steel finishing pad may be required.

## Galvanised

For general cleaning using a damp cloth and warm soapy water only. Scourers and abrasive cleaners are NOT suitable for this type of finish and may damage it. Before using any cleaning agents to remove graffiti etc. try on a small, inconspicuous area first to avoid causing more unsightly damage.

---

# Repairs

## **Stainless Steel**

Light damage (surface scratches etc.) can be removed using an emery pad (240 grit) and freeing oil such as 'WD40'. Care should be taken to follow the direction of the brushing grain. It is recommended that a trial repair be carried out on an unimportant surface first. No corrosive cleaners or other abrasives should be used. Any contamination, particularly carbon steel scuffs from vehicles, should be quickly removed to avoid corrosion.

## **Galvanised Surfaces**

For light damage to hot dipped galvanised finishes repair using a high performance cold galvanising zinc spray (70% zinc or above). Spray application should be carried out in accordance with approved methods detailed by the product manufacturer. Please note that it is advisable to use professional painters to achieve best results when touching up larger areas.

## **Heavy Damage**

In the event of serious damage to any component, replacements should be ordered from Factory Furniture Ltd. In this event (or if the product needs to be disassembled for any reason), please contact Factory Furniture for detailed technical advice.

# Reordering / Spares

<b>Part No.</b>	<b>Item Description</b>
P3010 / 01	1 no. Ashtray liner
P3010 / 02	1 no. Ashtray lid

## **Instructions For Reordering**

If possible, please specify job name or number at the time of reordering to enable identification of details such as the stainless steel finishes and polyester powder coat colours etc. In any event where either, additional orders are required, or spares and replacements are required please contact Factory Furniture Ltd. Using the part numbers given above as reference should help us to process your enquiry more efficiently.

*Note - All fittings required to assemble ordered parts will automatically be included in the order.*

# AutoCAD Drawing List

FF3010 / 01	WALL MOUNTED ASHTRAY	GENERAL ARRANGEMENT DRAWING
FF3010 / 02	WALL MOUNTED ASHTRAY	PARTS DETAILS DRAWING

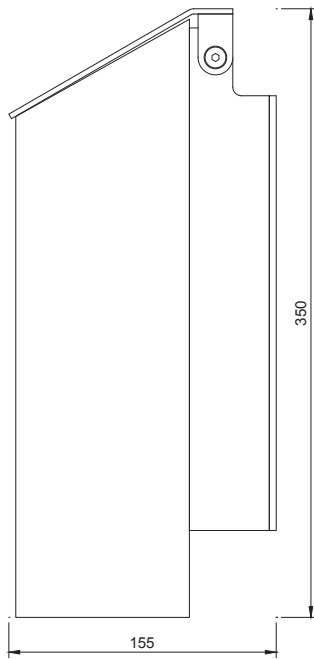
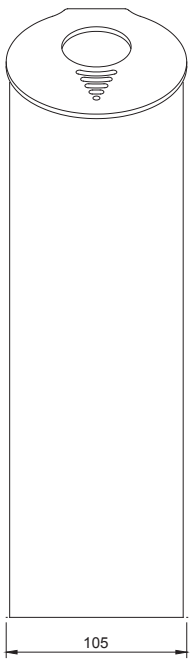
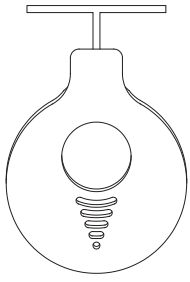
# Contacts

Factory Furniture Ltd  
5 Pioneer Road  
Faringdon, Oxon  
SN7 7BU UK

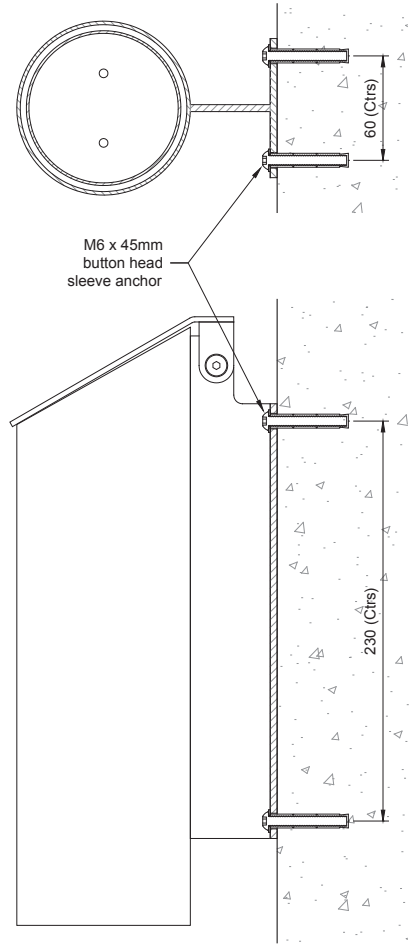
Tel +44 (0) 1367 242731  
Email [hello@factoryfurniture.co.uk](mailto:hello@factoryfurniture.co.uk)  
Web [www.factoryfurniture.co.uk](http://www.factoryfurniture.co.uk)

# Installation Instructions

**ALL INSTALLATION WORKS TO BE CARRIED OUT BY COMPETENT PERSONNEL - INSTALL AS COMPLETE UNIT**



Wall Mounted Ashtray



X-Sections

## Wall Mounted Ashtray

1. Position ashtray in correct orientation and height (top approx. 1200mm above ground level), then mark hole positions through base plate.
2. Remove the ashtray; drill holes  $\text{Ø}8\text{mm}$  x 55mm deep or as manufacturer's instructions
3. Clear debris from holes.
4. Reposition ashtray unit and fix to wall using 4 no. zinc-coated M6 x 45mm sleeve anchors tightened to 10Nm (or as per manufacturer's instruction). Ensure ashtray remains vertical during fixing process.

### IMPORTANT NOTE:

Ensure that stainless steel is protected during site cutting of stone – contamination from disc cutters will produce corrosion on stainless steel components.