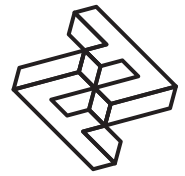
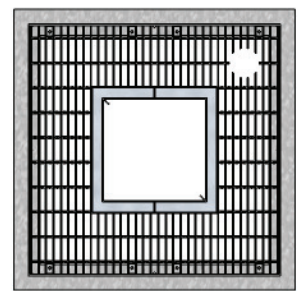
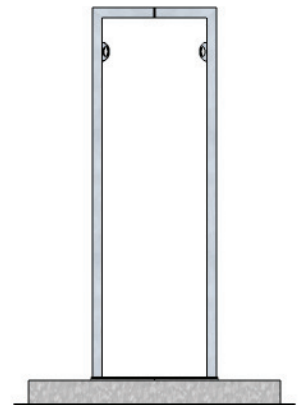
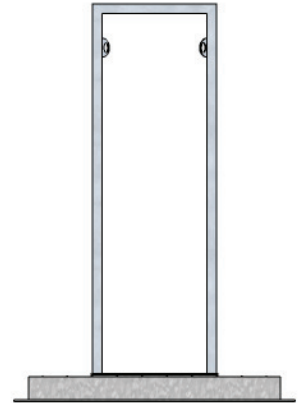
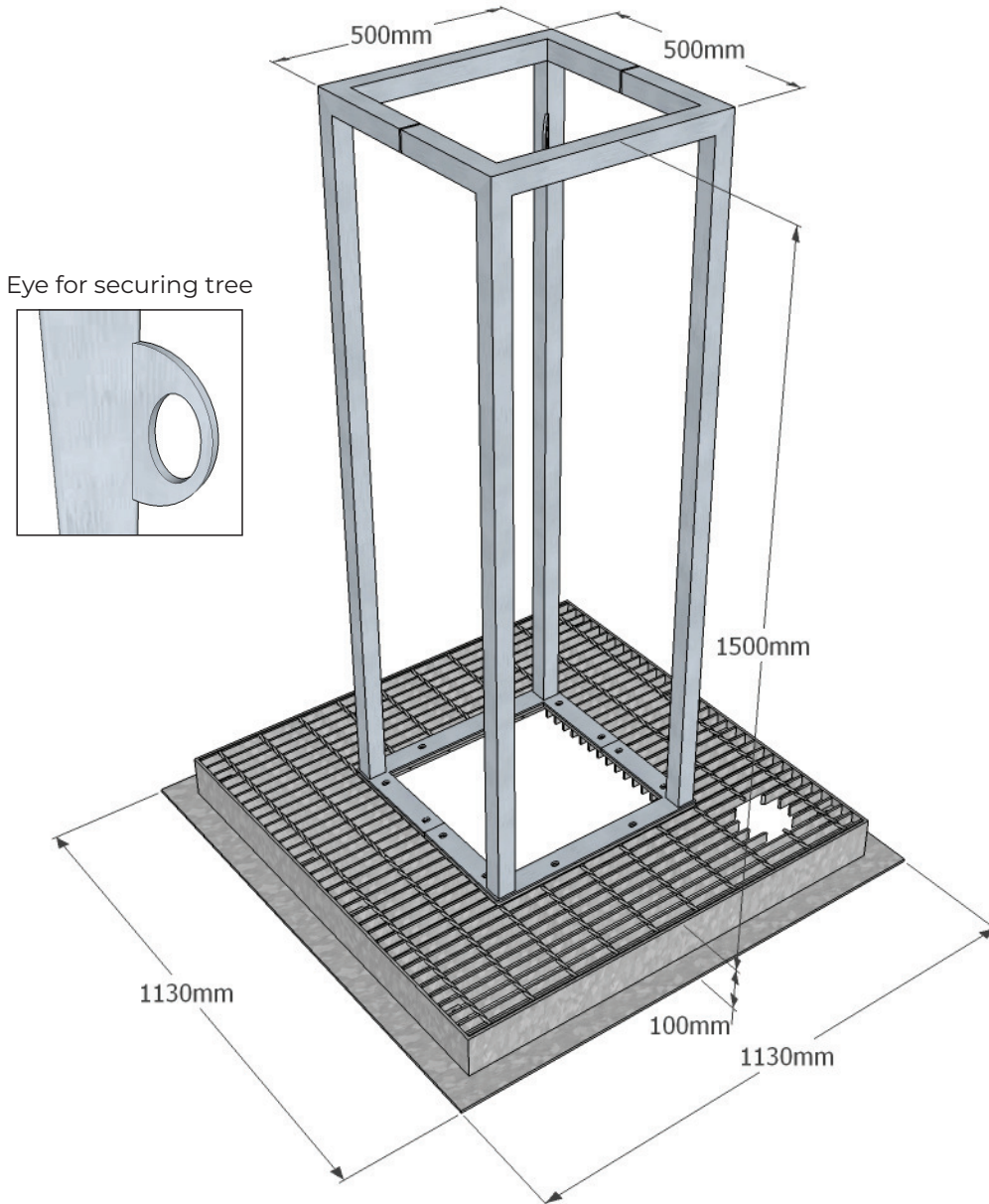


# FACTORY FURNITURE



## SKOP tree guard & grille



### SPECIFICATIONS

#### Composition

Frame - Stainless steel

Grille/base - Mild steel

#### Finish

Satin polished stainless steel. Hot dipped galvanised mild steel grille and base.

#### Dimensions

Metric L 1130mm | width 1130mm | height 1500mm\*

Imperial L 3' 8½" | width 3' 8½" | height 4' 11"

\* Not including +100mm below ground level for sub-surface fix

Approx weight 102kg

#### Fixing method

Grille frame root fixed 100mm (4") below ground level

Foundation N/A

#### Handling

Please observe health & safety lifting guidelines. A fork lift or crane will be required for off-loading and positioning of item

#### Maintenance

Depends on usage and position. All elements will require annual cleaning. Galvanised steel will require maintenance only if damaged. Stainless steel requires no maintenance