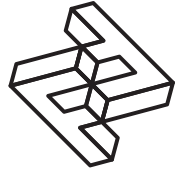
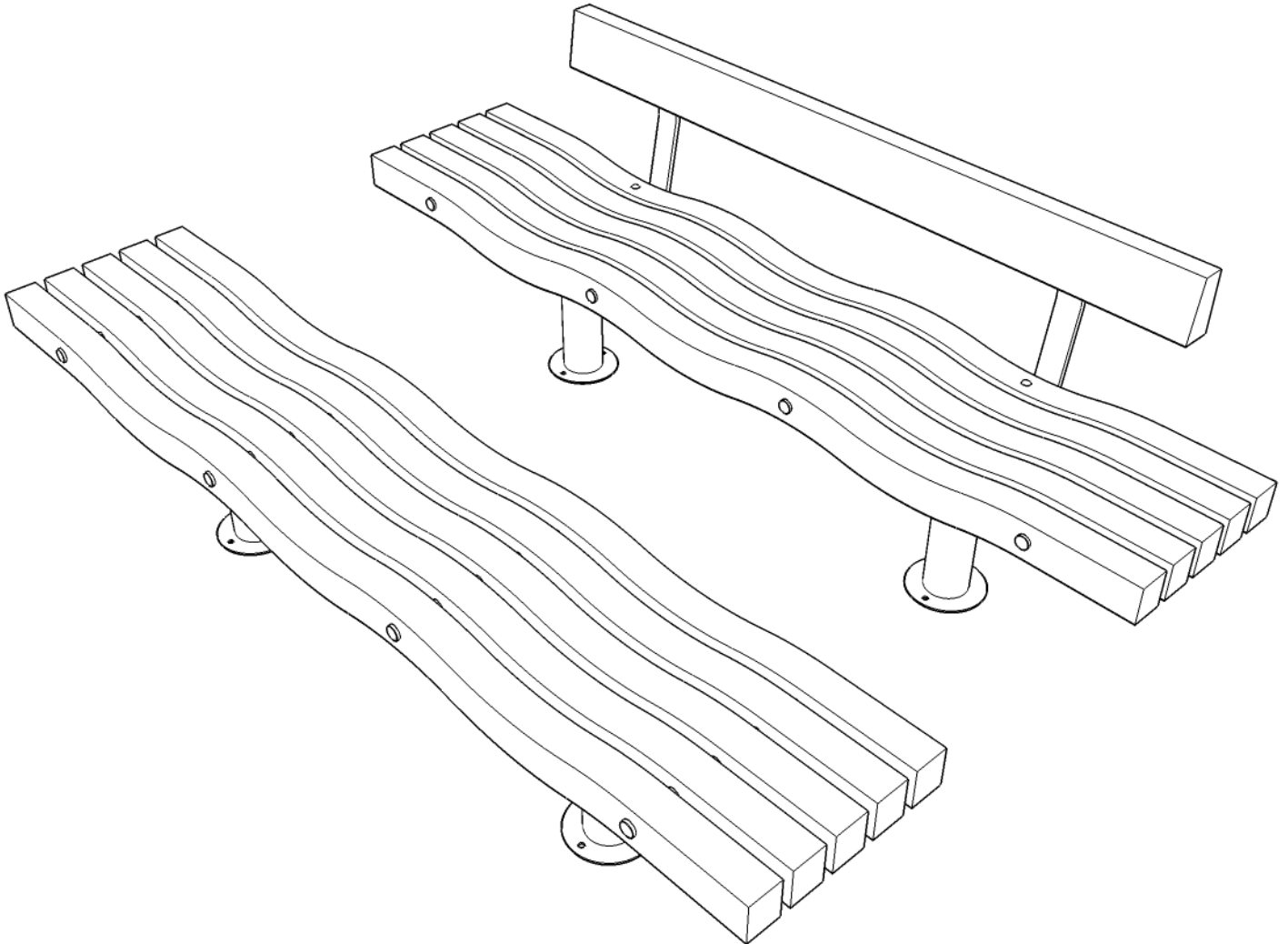


FACTORY FURNITURE



5 Slat SERPENTINE bench & seat



Operation & Maintenance Manual

Factory Furniture Ltd | 5 Pioneer Road | Faringdon | Oxfordshire SN7 7BU | T +44 (0)1367 242731
hello@factoryfurniture.co.uk | www.factoryfurniture.co.uk

We reserve the right to change specification without notice. © 2017 Factory Furniture Ltd

Introduction

Design

Design, shop drawings and development by Factory Furniture Ltd.

Manufacture

Factory Furniture manufactured components. Products are assembled in Factory workshops, checked and dispatched ready for installation. Replacement products or components thereof should be ordered direct from Factory Furniture Ltd.

Copyright

The design copyright for the product and drawing copyright remains the sole property of Factory Furniture Ltd.

General Specifications

Bench

Metric length 2300mm | width 460mm | height 475mm *

Imperial length 7' 6½" | width 1' 6" | height 1' 6½" *

* Not including +100mm below ground level for sub-surface fix option

Approx Weight 86kg (tubular) | 169kg (elliptical)

Fixing Centres 1200mm (3' 11") x 140mm (5½")

Seat (with back)

Metric length 2300mm | width 540mm | height 800mm *

Imperial length 7' 6½" | width 1' 9½" | height 2' 7½" *

* Not including +100mm below ground level for sub-surface fix option

Approx Weight 110kg (tubular) | 193kg (elliptical)

Fixing Centres 1200mm (3' 11") x 140mm (5½")

Detailed Material & Finish Specifications

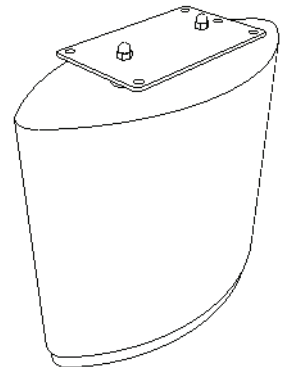
Seat Slats

- Manufactured from FSC® certified tropical hardwood or FSC certified oak (other FSC timber options available upon request). 5 no. slats per bench / seat.
- Profiled and left untreated as standard (oil or microporous woodstain treatment available on request).
- Spacers and end caps in aluminum (stainless steel available on request) concealing 4 no. zinc-coated mild steel threaded tie rods per seat top.
- Supported on two bases (see options below) attached to seat top with 4 no. fixing points each.



Backrest Assembly - Serpentine 'seat' only

- Slat is manufactured from FSC certified tropical hardwood or FSC oak (other FSC timber options available upon request).
- Slat is profiled and left untreated as standard (oil or microporous woodstain treatment available on request).
- Back support manufactured from stainless steel - satin polished or polyester powder coated (grey as standard or to customer colour specification).
- Back rest assembly attached to seat top via 4 no. fixing points.



Armrest - Optional - 2 no. per bench

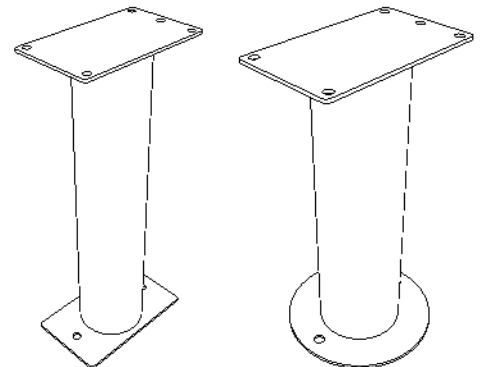
- Manufactured from stainless steel - satin polished or polyester powder coated (grey as standard or to customer colour specification).
- Each armrest is securely fastened to slats with 2 no. fixing points per armrest.

Bases - Elliptical option

- Manufactured from bush hammered grey/white granite with 2 no. resin fixed stainless steel M8 studs per base for attachment to seat top.
- Anchored via a Ø20mm x 400mm resin fixed mild steel 'rebar'.

Bases - Tubular option

- Manufactured from stainless steel - satin polished or polyester powder coated (grey as standard or to customer colour specification).
- Anchored via 2 no. M10 x 130mm resin anchor studs and cap nuts per base (surface fix) or 2 no. zinc-coated steel M10 x 75mm sleeve anchors per base (sub-surface fix).



General Maintenance *(Recommended Schedule & Guidelines)*

Daily/Weekly/Monthly *(or as adopted)*

Visual checks of seat top, back and bases - check all items for superficial or physical damage.

Three Monthly

Clean all items as detailed below check all fixings are seated correctly; inspect timber for serious damage and splinters.

Six Monthly

Secure all fixings; full clean as detailed below; check that seat/bench is firmly secured to the ground

Specific Maintenance Details

FSC Timber

Clean with a stiff brush once per year, especially in more exposed locations, in order to prevent a verdigris type build up on the timber surface. Ideally this should be completed in early spring. During the cleaning stage, all exposed timber surfaces should be inspected for splits and splinters. Any splinters and graffiti should be removed and the surface sanded with 100 grit sandpaper in order to remove any uneven / sharp edges or surfaces.

During the first few months after installation the tannin naturally occurring in the timber may leach out and cause a brown staining on the bases. This may be removed with a light solution of household bleach and water.

Stainless Steel *(polished stainless steel only)*

Clean as required, but at least every three months, using a stainless steel polish and a lint free cloth. To remove ground in dirt, a stainless steel finishing pad may be required.

Polyester Powder Coated & Galvanised

For general cleaning using a damp cloth and warm soapy water only. Scourers and abrasive cleaners are NOT suitable for this type of finish and may damage it. Before using any cleaning agents to remove graffiti etc. try on a small, inconspicuous area first to avoid causing more unsightly damage.

Granite / Concrete

Clean with a stiff brush once per year, especially in more exposed locations, in order to prevent a verdigris type build up on the surface. Ideally, this should be completed in early spring.

Repairs

FSC Timber

For light damage, please see section on specific maintenance details above. For instances of heavy damage, the timber item should be replaced. Please order against the part number reference in the reordering section towards the end of this manual.

Stainless Steel

Light damage (surface scratches etc.) can be removed using an emery pad (240 grit) and freeing oil such as 'WD40'. Care should be taken to follow the direction of the brushing grain. It is recommended that a trial repair be carried out on an unimportant surface first. No corrosive cleaners or other abrasives should be used. Any contamination, particularly carbon steel scuffs from vehicles, should be quickly removed to avoid corrosion.

Polyester Powder Coated & Galvanised Surfaces

For light damage (scratches, chips etc.) repair using touch-up paint to match original colour (available from Factory Furniture Ltd). Paint application should be carried out in accordance with approved methods detailed by the paint manufacturer. Please note that it is advisable to use professional painters to achieve best results when touching up larger areas. Products for respraying larger areas are available from Factory Furniture Ltd.

Heavy Damage

In the event of serious damage to any component, replacements should be ordered from Factory Furniture Ltd. Should further assistance be required (or if the product needs to be disassembled for any reason), please contact Factory Furniture for detailed technical advice.

Reordering / Spares

Part #	Item Description
P1026 / 01	1 no. 5 Slat Serpentine bench unit (complete assembled unit - not including bases)
P1026 / 02	1 no. 5 Slat Serpentine back unit (complete assembled unit)*
P1026 / 03	1 no. 5 Slat Serpentine armrest*
P1026 / 04	1 no. surface fix tubular base in stainless steel*
P1026 / 05	1 no. sub-surface fix tubular base in stainless steel*
P1026 / 06	1 no. elliptical base in bush hammered grey/white granite

**Please specify polished stainless or polyester coated at time of ordering*

Instructions For Reordering

If possible, please specify job name or number at the time of reordering to enable identification of details such as the original species of timber used, stainless steel finishes and polyester powder coat colours etc. In any event where either, additional orders are required, or spares and replacements are required please contact Factory Furniture Ltd. Using the part numbers given above as reference should help us to process your enquiry more efficiently.

Note - All fittings required to assemble ordered parts will automatically be included in the order.

AutoCAD Drawing List

FF1026 / 01	5 SLAT SERPENTINE BENCH	GENERAL ARRANGEMENT DRAWING
FF1026 / 02	5 SLAT SERPENTINE SEAT	GENERAL ARRANGEMENT DRAWING
FF1026 / 03	5 SLAT SERPENTINE BENCH & SEAT	X-SECTION DRAWINGS
FF1026 / 04	5 SLAT SERPENTINE BENCH & SEAT	TIMBER PARTS DETAIL DRAWINGS
FF1026 / 05	5 SLAT SERPENTINE BENCH & SEAT	METAL PARTS DETAIL DRAWINGS
FF1026 / 06	5 SLAT SERPENTINE BENCH & SEAT	BASE OPTION DRAWINGS
FF1026 / 07	5 SLAT SERPENTINE SEAT	ARMREST PARTS DETAIL DRAWINGS
FF1026 / 08	5 SLAT SERPENTINE BENCH & SEAT	SETTING OUT DRAWINGS

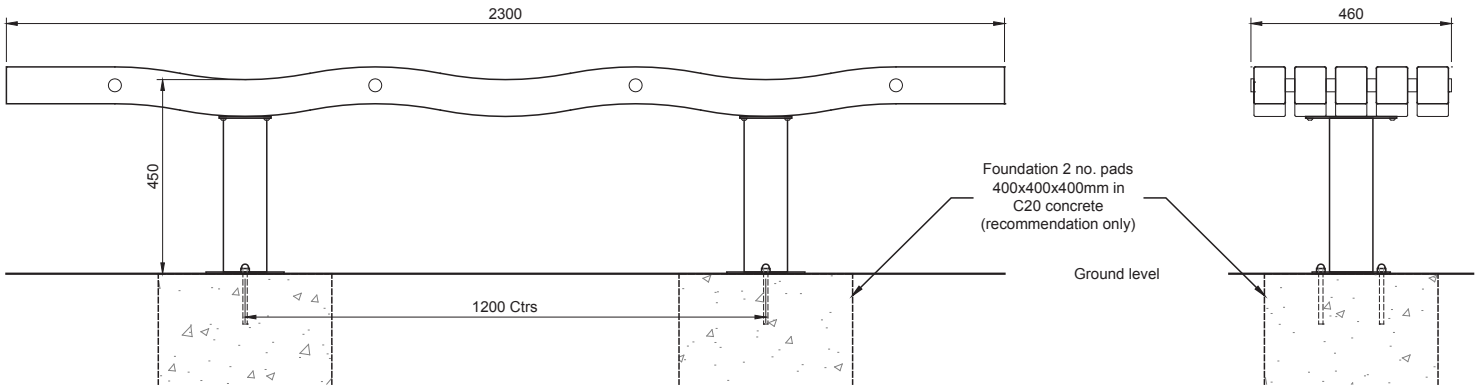
Contacts

Factory Furniture Ltd
5 Pioneer Road
Faringdon, Oxon
SN7 7BU UK

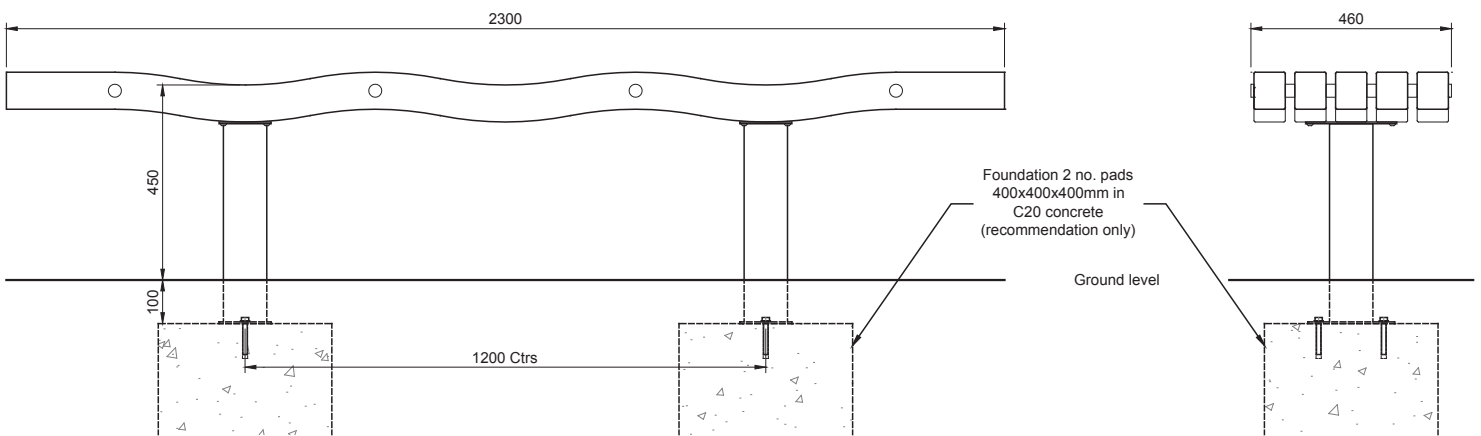
Tel +44 (0) 1367 242731
Email hello@factoryfurniture.co.uk
Web www.factoryfurniture.co.uk

Installation Instructions

ALL INSTALLATION WORKS TO BE CARRIED OUT BY COMPETENT PERSONNEL - INSTALL AS COMPLETE UNIT



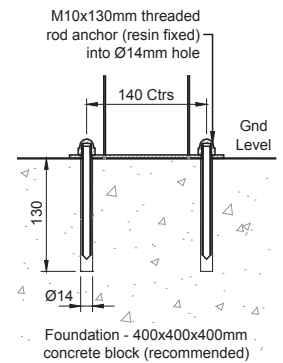
Tubular Base (Surface Fix)



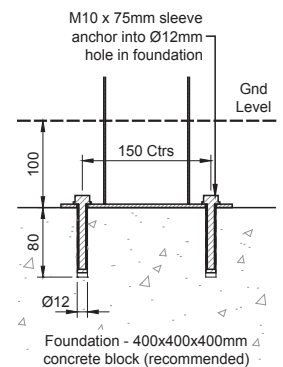
Tubular Base (Sub-surface Fix)

5 slat Serpentine bench / seat on tubular bases (surface & sub-surface fix)

1. Install suitable foundation pads (see illustration) each with top face at ground level or 100mm below finished ground level for sub-surface fix.
2. Unpack pair of bases and attach to the bench / seat using 8 no. M8 x 25mm button head bolts into threaded inserts in seat slats - apply thread lock and tighten bolts to 14Nm.
3. ****Seat Only**** Attach back assembly to the seat top. Using 2 no. M8 x 110mm coach bolts & locknuts thro' holes in rear seat slat and corresponding holes in back support bracket. Secure front ends of back support brackets using 2 no. M8 x 40mm button head bolts thro' bases into threaded inserts in seat slat - apply thread lock and tighten bolts to 14Nm. Armrests (if supplied) secured using 2 no. M8 x 100mm coach bolts & locknuts per armrest through holes in slats provided.
4. Once assembled position bench / seat in correct orientation with bases centrally on foundation pads; then mark hole positions through base plates.
5. Remove the bench; drill holes $\text{\O}14\text{mm}$ x 130mm deep (surface fix) or $\text{\O}12\text{mm}$ x 75mm deep (sub-surface fix) or as manufacturer's recommendations.
6. Clear debris from holes.
- 7a. (Surface fix) Fill the holes to within approximately 35mm from the top with Hilti HY150 resin (or similar). Lift the seat (with threaded anchor rods/capnuts in place) and carefully lower the anchors into the holes, leave for two hours before using.
- 7b. Using a torque wrench, tighten nuts and washers over flange plates to 30Nm to fasten down the bench.
8. (Sub-surface fix) Reposition bench / seat unit and fix to foundation pads using 4 no. zinc-coated M10 x 75mm sleeve anchors tightened to 50Nm (or as per manufacturer's instruction). Ensure bench remains level during fixing process.
9. Check level & re-instate ground level if necessary (sub-surface fix).



Surface Fix



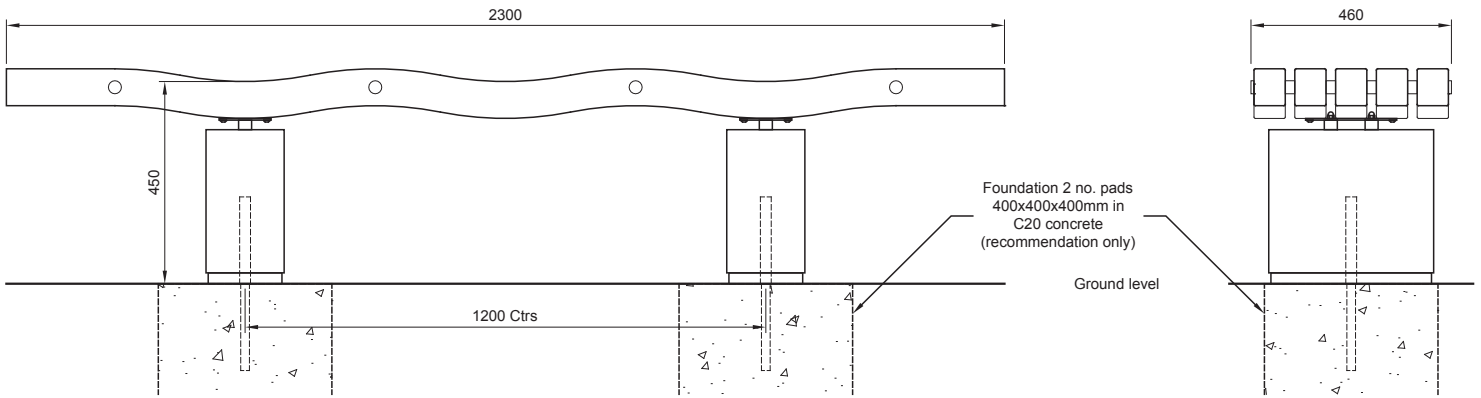
Sub-surface Fix

IMPORTANT NOTES:

Ensure that stainless steel is protected during site cutting of stone – contamination from disc cutters will produce corrosion on stainless steel components.

Installation Instructions

ALL INSTALLATION WORKS TO BE CARRIED OUT BY COMPETENT PERSONNEL - INSTALL AS COMPLETE UNIT



Elliptical Base (Detail same for seat)

5 slat Serpentine bench / seat on elliptical bases

1. Install suitable foundation pads (see illustration) each with top face at ground level.
2. Unpack pair of bases and attach to the bench / seat using 8 no. M8 x 25mm button head bolts into threaded inserts in seat slats - apply thread lock and tighten bolts to 14Nm.
3. ****Seat Only**** Attach back assembly to the seat top. Using 2 no. M8 x 110mm coach bolts and locknuts thro' holes in rear seat slat and corresponding holes in back support bracket. Secure front ends of back support brackets using 2 no. M8 x 40mm button head bolts thro' bases into threaded inserts in seat slat - apply thread lock and tighten bolts to 14Nm. Armrests (if supplied) secured using 2 no. M8 x 100mm coach bolts & locknuts per armrest through holes in slats provided.
4. Once assembled position bench / seat in correct orientation with bases centrally on foundation pads;
5. Gently pivot the bench onto its front and mark the positions of the holes in the base onto the foundation pads.
6. With the seat still on its front, fill the central anchor hole in each base to within approximately 35mm from the top with Hilti HY150 resin (or similar) and insert $\text{\O}20\text{mm}$ x 400mm rebar anchor (supplied)
7. Bore $\text{\O}25\text{mm}$ x 230mm holes in the required positions in the foundation pads and remove any dust from the hole. Fill the holes to within approximately 35mm from the top with Hilti HY150 resin (or similar)
8. Lift the bench / seat and carefully lower the anchors into the holes, leave for two hours before using.
9. If there are any lumps in the foundation's surface they will cause the seat to rock so it is recommended that if the foundation is a rough surface, resin is applied around each base before fixing and toweled clean when settled.

IMPORTANT NOTES:

Ensure that stainless steel is protected during site cutting of stone – contamination from disc cutters will produce corrosion on stainless steel components.

Granite must be treated with care, protect all edges when handling.

