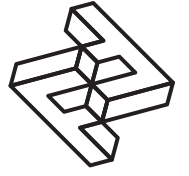
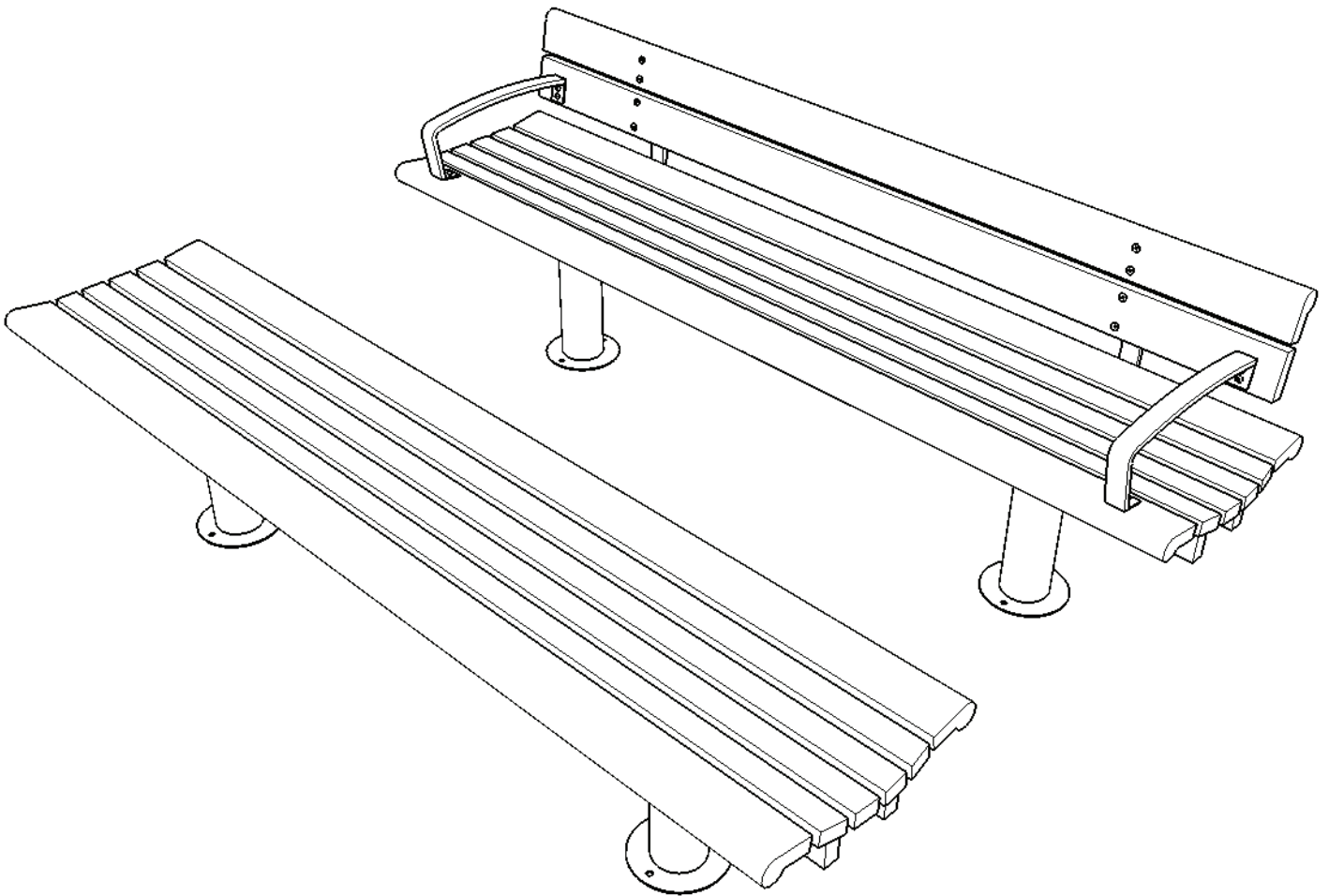

FACTORY FURNITURE



SCROLL bench & seat



Operation & Maintenance Manual

Factory Furniture Ltd | 5 Pioneer Road | Faringdon | Oxfordshire SN7 7BU | T +44 (0)1367 242731
hello@factoryfurniture.co.uk | www.factoryfurniture.co.uk

We reserve the right to change specification without notice. © 2017 Factory Furniture Ltd

Introduction

Design

Design, shop drawings and development by Factory Furniture Ltd.

Manufacture

Factory Furniture manufactured components. Products are assembled in Factory workshops, checked and dispatched ready for installation. Replacement products or components thereof should be ordered direct from Factory Furniture Ltd.

Copyright

The design copyright for the product and drawing copyright remains the sole property of Factory Furniture Ltd.

General Specifications

Bench

Metric length 2120mm | width 475mm | height 450mm*

Imperial length 6' 11½" | width 1' 6½" | height 1' 5½"

* Not including +100mm below ground level for sub-surface fix option

Approx Weight 53kg

Fixing Centres 1320mm (4' 4") x 140mm (5½")

Seat (with back)

Metric length 2120mm | width 510mm | height 730mm*

Imperial length 6' 11½" | width 1' 8" | height 2' 4½"

* Not including +100mm below ground level for sub-surface fix option

Approx Weight 73kg (78kg with armrests)

Fixing Centres 1320mm (4' 4") x 140mm (5½")

Detailed Material & Finish Specifications

Seat Top (slats & frame)

- Manufactured from FSC® certified tropical hardwood or FSC certified oak (*other FSC timber options available upon request*)
- Profiled and left untreated as standard (*oil or microporous woodstain treatment available on request*)
- Stainless steel frame elements - satin polished or polyester powder coated (*grey as standard or to customer specification*)
- Supported on two bases attached to frame with 4 no. fixing points each



Back (for seat option)

- Slats are manufactured from FSC certified tropical hardwood or FSC certified oak (*other FSC timber options available upon request*)
- Slats are profiled and left untreated as standard (*oil or microporous woodstain treatment available on request*)
- Each slat is fixed to the back supports via 4 no. fixing points per slat
- Back supports manufactured from stainless steel - satin polished or polyester powder coated (*powder coat colour grey as standard or to customer specification*)
- Each back unit is fixed to the seat top via 4 no. fixing points

Back & Arms (Optional - only available for seat)

- Arms manufactured from stainless steel - satin polished or polyester powder coated (*powder coat colour grey as standard or to customer specification*)
- Each arm is fixed to the seat and back - 3 no. fixing points in total

Bases

- Manufactured from stainless steel - satin polished or polyester powder coated finishes (*powder coat colour grey as standard or to customer specification*)
- Anchored using 2 no. resin fixed M10 x 200mm threaded rods and cap nuts per base (surface fix) or 2 no. zinc-coated steel M10 x 75mm sleeve anchors per base (sub-surface fix)

General Maintenance *(Recommended Schedule & Guidelines)*

Daily/Weekly/Monthly *(or as adopted)*

Visual checks of seat top, back and bases - check all items for superficial or physical damage.

Three Monthly

Clean all items as detailed below check all fixings are seated correctly; inspect timber for serious damage and splinters.

Six Monthly

Secure all fixings; full clean as detailed below; check that seat/bench is firmly secured to the ground

Specific Maintenance Details

FSC Timber

Clean with a stiff brush once per year, especially in more exposed locations, in order to prevent a verdigris type build up on the timber surface. Ideally this should be completed in early spring. During the cleaning stage, all exposed timber surfaces should be inspected for splits and splinters. Any splinters and graffiti should be removed and the surface sanded with 100 grit sandpaper in order to remove any uneven / sharp edges or surfaces.

During the first few months after installation the tannin naturally occurring in the timber may leach out and cause a brown staining on the bases. This may be removed with a light solution of household bleach and water.

Stainless Steel *(polished stainless steel only)*

Clean as required, but at least every three months, using a stainless steel polish and a lint free cloth. To remove ground in dirt, a stainless steel finishing pad may be required.

Polyester Powder Coated

For general cleaning using a damp cloth and warm soapy water only. Scourers and abrasive cleaners are NOT suitable for this type of finish and may damage it. Before using any cleaning agents to remove graffiti etc. try on a small, inconspicuous area first to avoid causing more unsightly damage.

Repairs

FSC Timber

For light damage, please see section on specific maintenance details above. For instances of heavy damage, the timber item should be replaced. Please order against the part number reference in the reordering section towards the end of this manual.

Stainless Steel

Light damage (surface scratches etc.) can be removed using an emery pad (240 grit) and freeing oil such as 'WD40'. Care should be taken to follow the direction of the brushing grain. It is recommended that a trial repair be carried out on an unimportant surface first. No corrosive cleaners or other abrasives should be used. Any contamination, particularly carbon steel scuffs from vehicles, should be quickly removed to avoid corrosion.

Polyester Powder Coated Surfaces

For light damage (scratches, chips etc.) repair using touch-up paint to match original colour (available from Factory Furniture Ltd). Paint application should be carried out in accordance with approved methods detailed by the paint manufacturer. Please note that it is advisable to use professional painters to achieve best results when touching up larger areas. Products for respraying larger areas are available from Factory Furniture Ltd.

Heavy Damage

In the event of serious damage to any component, replacements should be ordered from Factory Furniture Ltd. In this event (or if the product needs to be disassembled for any reason), please contact Factory Furniture for detailed technical advice.

Reordering / Spares

Part No.	Item Description
P1006 / 01	1 no. Scroll bench unit (complete assembled unit - not including bases, back or arms)
P1006 / 02	1 no. Scroll back unit (complete assembled unit - not including arms)*
P1006 / 03	1 no. Scroll armrest set (includes 2 no. armrests)*
P1006 / 04	1 no. Scroll bench surface fix tubular base in stainless steel*
P1006 / 05	1 no. Scroll bench sub-surface fix tubular base in stainless steel*

* Please specify required finish at time of order (polished or powder coat)

Instructions For Reordering

If possible, please specify job name or number at the time of reordering to enable identification of details such as the original species of timber used, stainless steel finishes and polyester powder coat colours etc. In any event where either, additional orders are required, or spares and replacements are required please contact Factory Furniture Ltd. Using the part numbers given above as reference should help us to process your enquiry more efficiently.

Note - All fittings required to assemble ordered parts will automatically be included in the order.

AutoCAD Drawing List

FF1006 / 01	SCROLL BENCH	GENERAL ARRANGEMENT DRAWING
FF1006 / 02	SCROLL SEAT	GENERAL ARRANGEMENT DRAWING
FF1006 / 03	SCROLL BENCH & SEAT	TIMBER PART DETAIL DRAWINGS
FF1006 / 04	SCROLL BENCH & SEAT	STEEL PART DETAIL DRAWINGS
FF1006 / 05	SCROLL BENCH & SEAT	BASE OPTION DETAIL DRAWINGS
FF1006 / 06	SCROLL SEAT	BACKREST & ARMREST DETAIL DRAWINGS
FF1006 / 07	SCROLL BENCH & SEAT	ASSEMBLY INSTRUCTION DRAWING

Contacts

Factory Furniture Ltd
5 Pioneer Road
Faringdon, Oxon
SN7 7BU UK

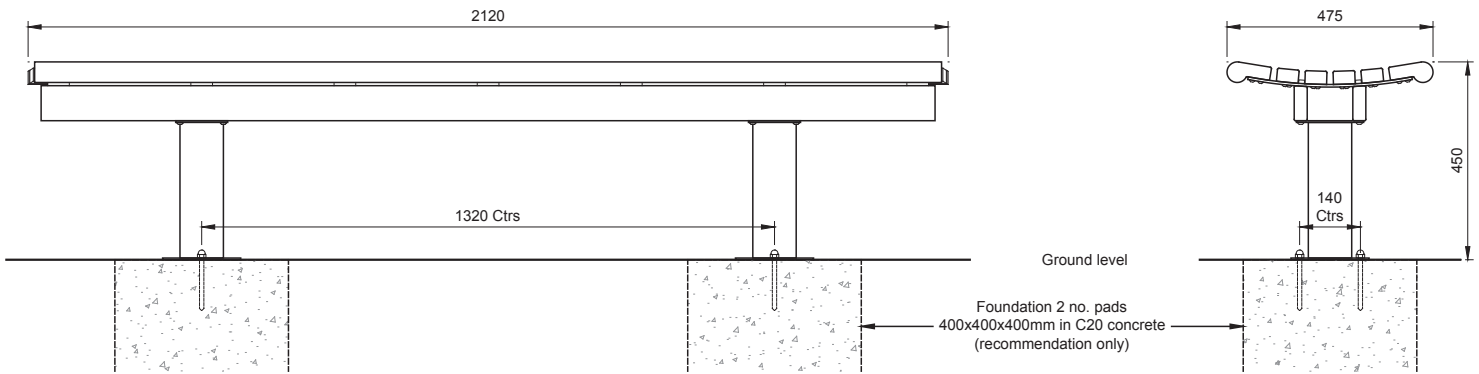
Tel +44 (0) 1367 242731

Email hello@factoryfurniture.co.uk

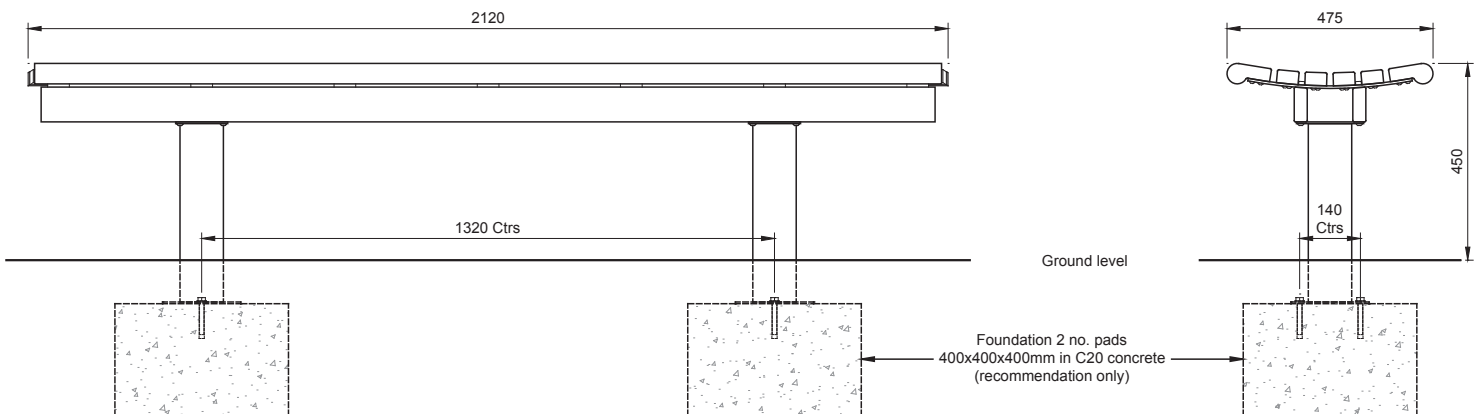
Web www.factoryfurniture.co.uk

Installation Instructions

ALL INSTALLATION WORKS TO BE CARRIED OUT BY COMPETENT PERSONNEL - INSTALL AS COMPLETE UNIT



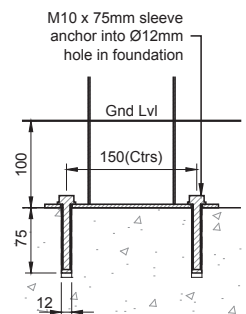
Surface Fix (Same detail for bench & seat)



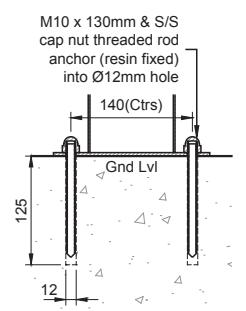
Sub-surface Fix (Same detail for bench & seat)

Scroll Bench / Seat (surface & sub-surface fix)

1. Install suitable foundation pads (see illustration) each with top face at ground level or 100mm below finished ground level for sub-surface fix.
2. Attach the back unit (when supplied) to the bench top using 4 no. M8 x 30mm csk head bolts, apply thread lock to the bolt before inserting and then tighten to 10 Nm.
3. Attach the arms (when supplied) to the seat using 3 no. M8 x 45mm button head bolts & locknuts - tighten each to 10Nm.
4. Unpack pair of bases and attach to the seat using 8 no. M8 x 25mm button headed hex bolts and tighten to 14Nm.
5. Position bench in correct orientation with bases centrally on foundation pads, then mark hole positions through base plates.
6. Remove the bench; drill holes $\text{\O}12\text{mm}$ x 125mm deep (surface fix) or $\text{\O}12\text{mm}$ x 75mm deep or as manufacturer's instructions (sub-surface fix).
7. Clear debris from holes.
- 8a. (*Surface fix*) Fill the holes to within approximately 35mm from the top with Hilti HY150 resin (or similar). Lift the seat (with threaded anchor rods/capnuts in place) and carefully lower the anchors into the holes, leave for two hours before using.
- 8b. Using a torque wrench, tighten nuts and washers over flange plates to 30Nm to fasten down the bench.
9. (*Sub-surface fix*) Reposition bench unit and fix to foundation pads using 4 no. zinc-coated M10 x 75mm sleeve anchors tightened to 50Nm (or as per manufacturer's instruction). Ensure bench remains level during fixing process.
10. Check level & re-instate ground level if necessary (sub-surface fix).



Surface Fix



Sub-surface Fix

IMPORTANT NOTE:

Ensure that stainless steel is protected during site cutting of stone – contamination from disc cutters will produce corrosion on stainless steel components.