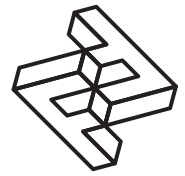
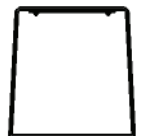
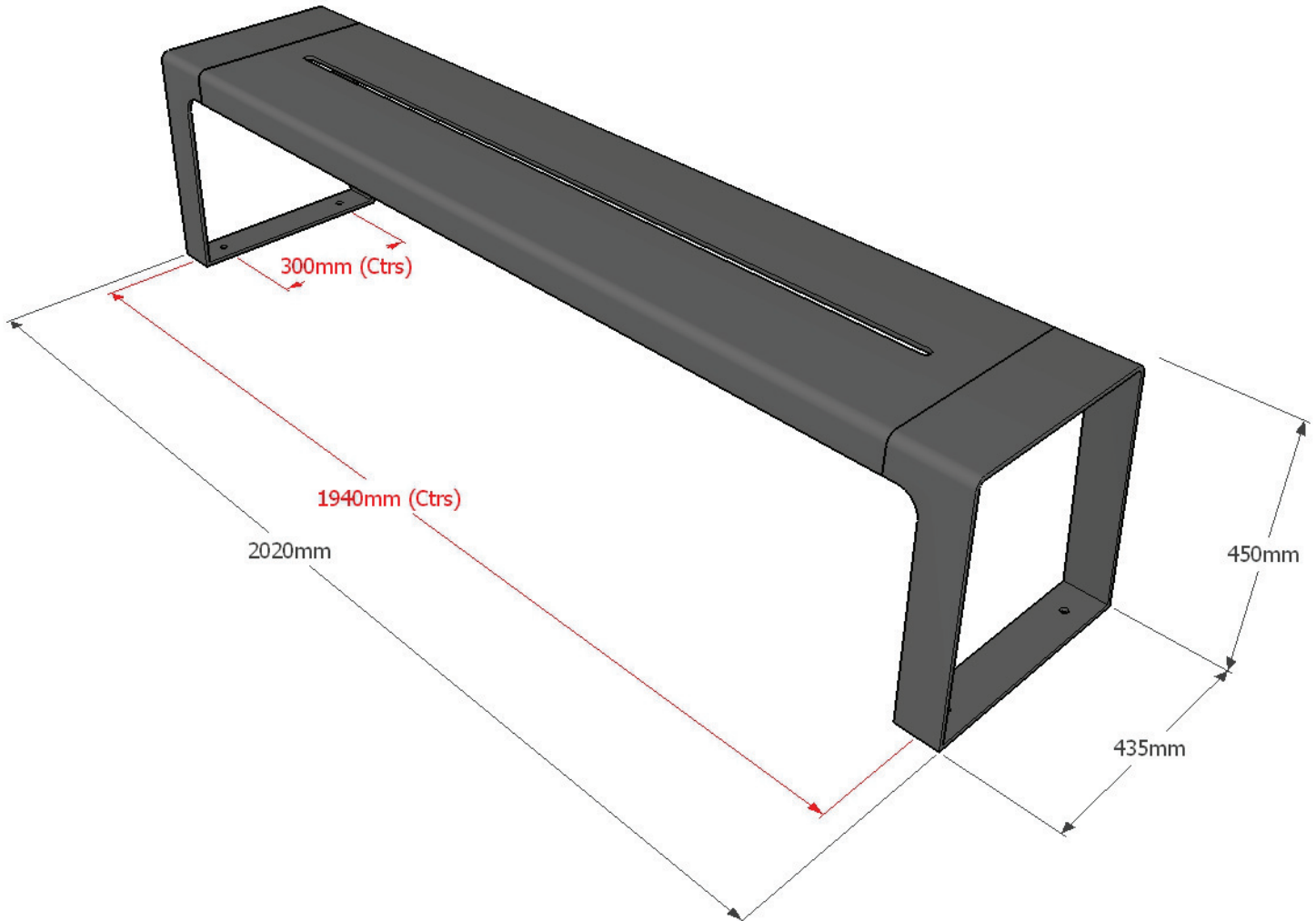


FACTORY FURNITURE



MURTON bench - steel



SPECIFICATIONS

Composition

Bench - Mild steel

Finish

Mild steel - hot dipped galvanised with option for polyester powder-coat. *Please note that when a powdercoat is applied over a hot dip galvanised surface pinholing can occur in the surface finish. This is not considered a defect*

Dimensions

Metric L 2020mm | width 435mm | height 450mm

Imperial L 6' 7½" | width 1' 5" | height 1' 5½"

Approx weight 73kg

Fixing centres

1940mm (6' 4½") x 300mm (12")

Fixing method

4 resin fixed anchors (2 per leg)

Foundation

2 no. pads 600 x 400 x 300 mm in C20 concrete (recommendation only)

Handling

Please observe health & safety lifting guidelines. A fork lift or crane will be required for off-loading & positioning of items

Maintenance

Depends on usage and position. All elements will require annual cleaning. Wooden elements should be treated every other year if coated. Galvanised and powder coated mild steel only require maintenance if damaged.