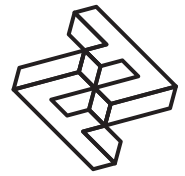
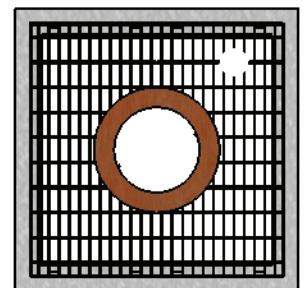
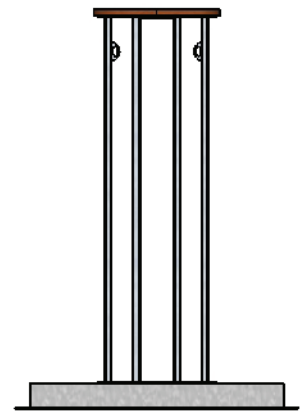
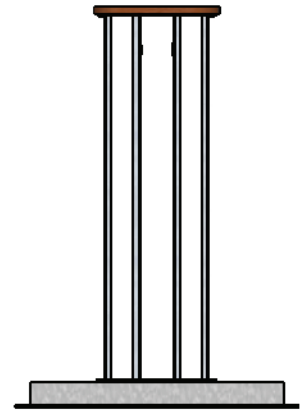
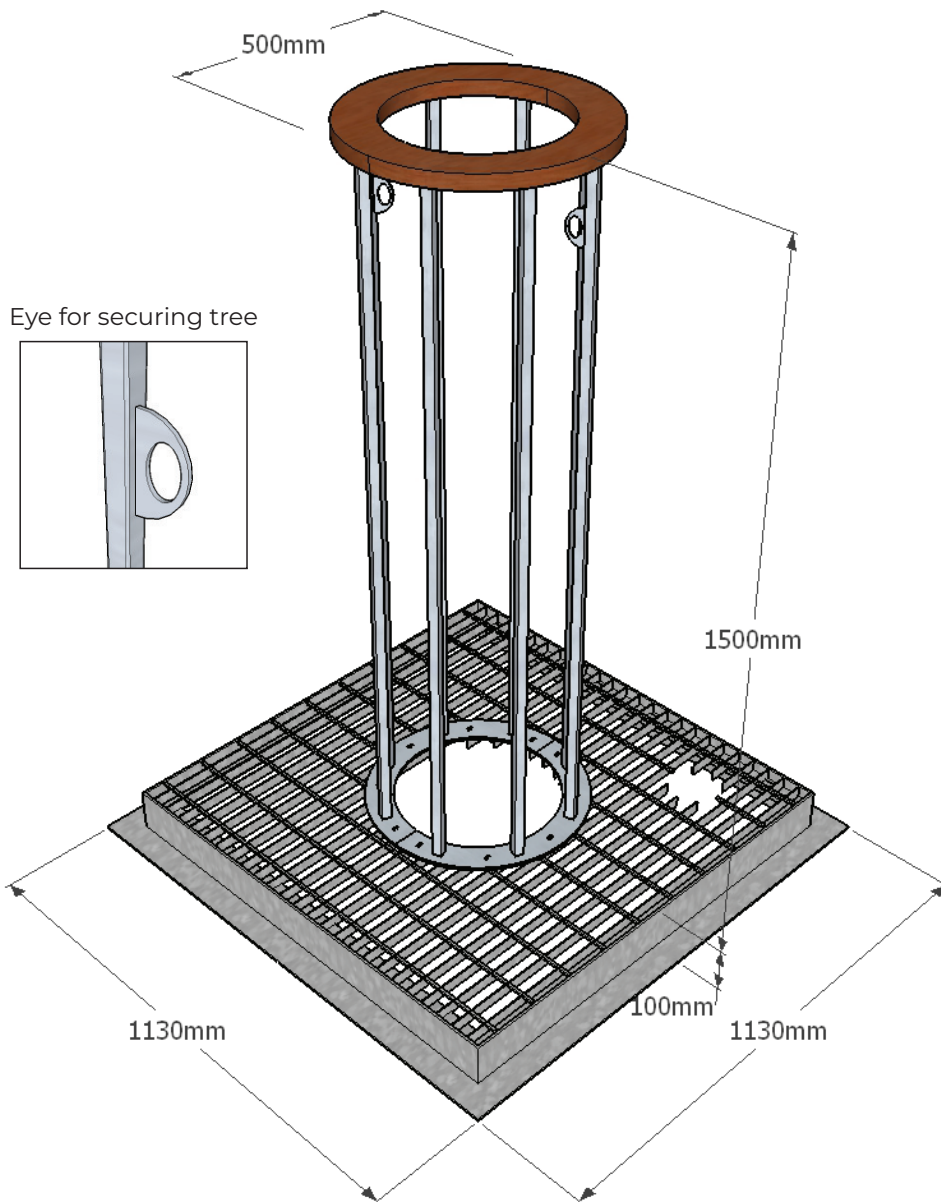


FACTORY FURNITURE



CIRCULAR tree guard & grille



SPECIFICATIONS

Composition

Ring - FSC® tropical hardwood

Frame - Stainless steel

Grille/base - Hot dip galvanised mild steel

Finish

Natural finish as standard. (Oil or microporous woodstain available on request). Satin polished stainless steel

Dimensions

Metric L 1130mm | width 1130mm | height 1500mm*

Imperial L 3' 8½" | width 3' 8½" | height 4' 11"

* Not including +100mm below ground level



Approx weight 85kg

Fixing method

Grille frame root fixed 100mm (4") below ground level

Foundation N/A

Handling

Please observe health & safety lifting guidelines. A fork lift or crane will be required for off-loading and positioning of items

Maintenance

Depends on usage and position. All elements will require cleaning annually. Wooden elements should be treated every other year if coated*. Galvanised steel will require maintenance only if damaged. Stainless steel requires no maintenance