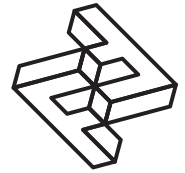
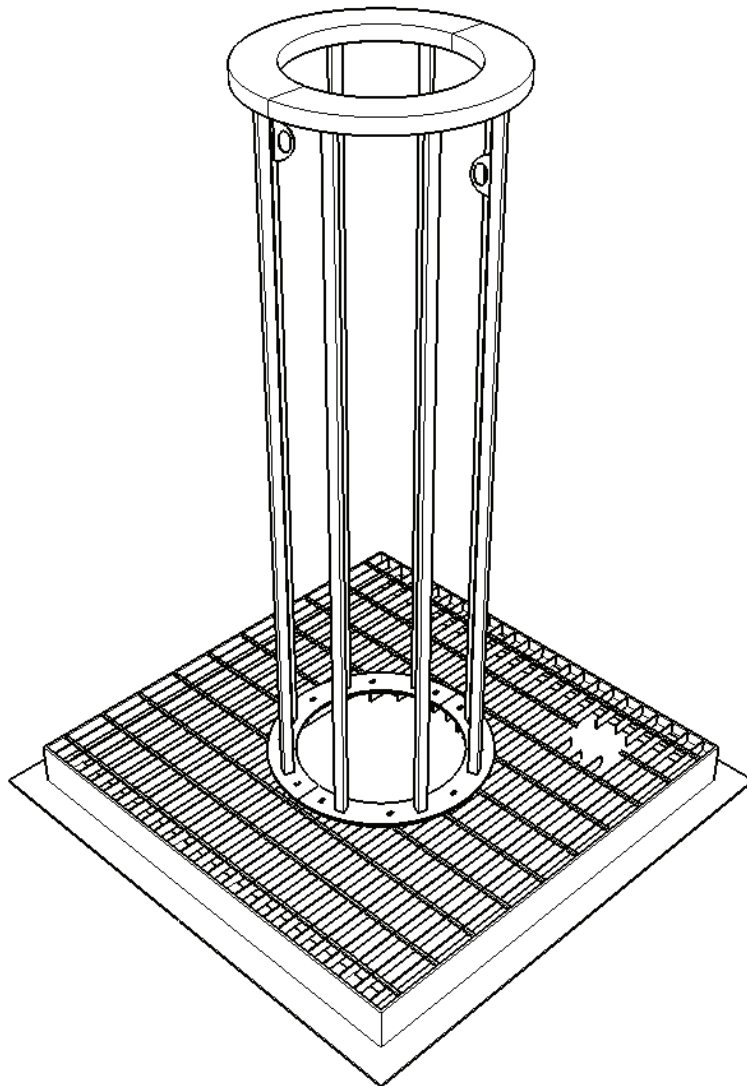


# FACTORY FURNITURE



## CIRCULAR tree guard & grille



## Operation & Maintenance Manual

Factory Furniture Ltd | 5 Pioneer Road | Faringdon | Oxfordshire SN7 7BU | T +44 (0)1367 242731  
hello@factoryfurniture.co.uk | www.factoryfurniture.co.uk

We reserve the right to change specification without notice. © 2017 Factory Furniture Ltd

---

# Introduction

## Design

Design, shop drawings and development by Factory Furniture Ltd.

## Manufacture

Factory Furniture manufactured components. Products are assembled in Factory workshops, checked and dispatched ready for installation. Replacement products or components thereof should be ordered direct from Factory Furniture Ltd.

## Copyright

The design copyright for the product and drawing copyright remains the sole property of Factory Furniture Ltd.

# General Specifications

## Circular Tree Guard & Grille

*Metric* length 1130mm | width 1130mm | height 1500mm\*

*Imperial* length 3' 8½" | width 3' 8½" | height 4' 11"

\* Not including +100mm below ground level

**Approx Weight** 85kg

# Detailed Material & Finish Specifications

## Timber Handrail

- Manufactured from FSC® certified tropical hardwood (*other FSC timber options available upon request*).
- Profiled and left untreated as standard (*oil or microporous woodstain treatment available on request*)
- Manufactured from 4 parts - pair for each half of frame are joined by loose tongue joint
- Supported on frame - attached with 8 no. fixing points each half



## Frame

- Manufactured from stainless steel - satin polished finish
- 2 no. stainless steel 'eyes' for securing tree
- Fixed to plate welded to grille via 10 no. fixing points

## Grille

- Grille and grille frame manufactured from mild steel - hot dipped galvanised finish
- Grille comes in two parts for ease of installation. Each half fixed to grille frame with 4 no. fixing points
- Grille frame is root fixed 100mm below ground level

# General Maintenance *(Recommended Schedule & Guidelines)*

## Daily/Weekly/Monthly *(or as adopted)*

Visual checks of ring, frame and grille - check all items for superficial or physical damage.

## Three Monthly

Clean all items as detailed below check all fixings are seated correctly; inspect timber for serious damage and splinters.

## Six Monthly

Secure all fixings; full clean as detailed below; check that tree guard is firmly secured to the ground

# Specific Maintenance Details

## FSC Timber

Clean with a stiff brush once per year, especially in more exposed locations, in order to prevent a verdigris type build up on the timber surface. Ideally this should be completed in early spring. During the cleaning stage, all exposed timber surfaces should be inspected for splits and splinters. Any splinters and graffiti should be removed and the surface sanded with 100 grit sandpaper in order to remove any uneven / sharp edges or surfaces.

*During the first few months after installation the tannin naturally occurring in the timber may leach out and cause a brown staining on the bases. This may be removed with a light solution of household bleach and water.*

## Stainless Steel *(polished stainless steel only)*

Clean as required, but at least every three months, using a stainless steel polish and a lint free cloth. To remove ground in dirt, a stainless steel finishing pad may be required.

## Galvanised

For general cleaning using a damp cloth and warm soapy water only. Scourers and abrasive cleaners are NOT suitable for this type of finish and may damage it. Before using any cleaning agents to remove graffiti etc. try on a small, inconspicuous area first to avoid causing more unsightly damage.

---

# Repairs

## FSC Timber

For light damage, please see section on specific maintenance details above. For instances of heavy damage, the timber item should be replaced. Please order against the part number reference in the reordering section towards the end of this manual.

## Stainless Steel

Light damage (surface scratches etc.) can be removed using an emery pad (240 grit) and freeing oil such as 'WD40'. Care should be taken to follow the direction of the brushing grain. It is recommended that a trial repair be carried out on an unimportant surface first. No corrosive cleaners or other abrasives should be used. Any contamination, particularly carbon steel scuffs from vehicles, should be quickly removed to avoid corrosion.

## Galvanised Surfaces

For light damage to hot dipped galvanised finishes repair using a high performance cold galvanising zinc spray (70% zinc or above). Spray application should be carried out in accordance with approved methods detailed by the product manufacturer. Please note that it is advisable to use professional painters to achieve best results when touching up larger areas.

## Heavy Damage

In the event of serious damage to any component, replacements should be ordered from Factory Furniture Ltd. In this event (or if the product needs to be disassembled for any reason), please contact Factory Furniture for detailed technical advice.

# Reordering / Spares

Part No.	Item Description
P1013 / 01	1 no. Circular tree guard timber ring set (two halves in total)
P1013 / 02	1 no. Circular tree guard frame half - 2 required for complete frame (inc. upper & lower ring plates)
P1013 / 03	2 no. Joining plates
P1013 / 04	1 no. Circular tree guard grille half - two required for complete grille (includes grille ring plate)

## Instructions For Reordering

If possible, please specify job name or number at the time of reordering to enable identification of details such as the original species of timber used, stainless steel finishes and polyester powder coat colours etc. In any event where either, additional orders are required, or spares and replacements are required please contact Factory Furniture Ltd. Using the part numbers given above as reference should help us to process your enquiry more efficiently.

*Note - All fittings required to assemble ordered parts will automatically be included in the order.*

# AutoCAD Drawing List

FF1013 / 01	CIRCULAR TREE GUARD & GRILLE	FABRICATION DRAWINGS
FF1013 / 02	CIRCULAR TREE GUARD & GRILLE	STEEL PART DETAILS

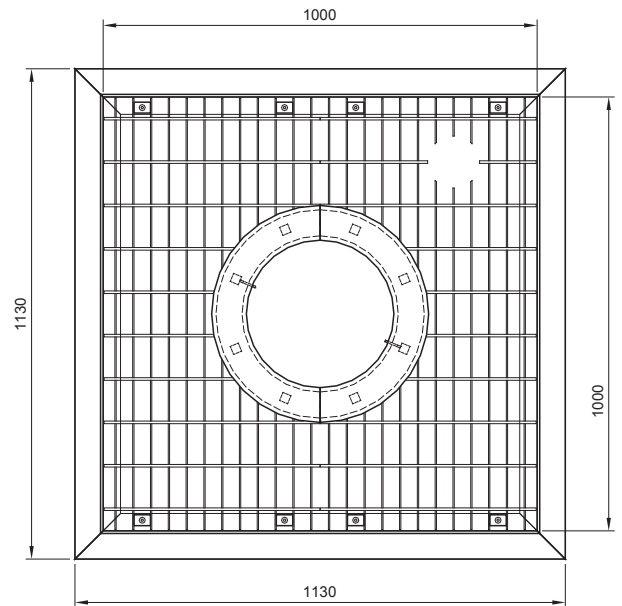
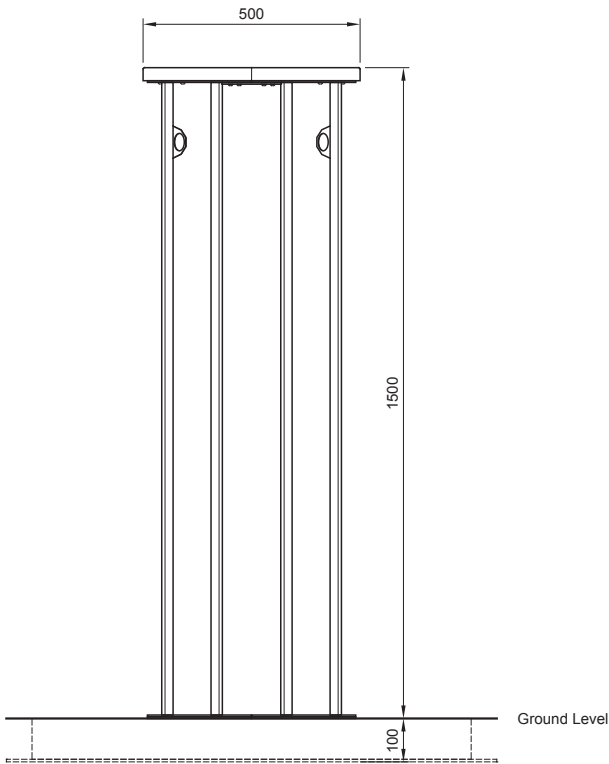
# Contacts

Factory Furniture Ltd  
5 Pioneer Road  
Faringdon, Oxon  
SN7 7BU UK

Tel +44 (0) 1367 242731  
Email [hello@factoryfurniture.co.uk](mailto:hello@factoryfurniture.co.uk)  
Web [www.factoryfurniture.co.uk](http://www.factoryfurniture.co.uk)

# Installation Instructions

**ALL INSTALLATION WORKS TO BE CARRIED OUT BY COMPETENT PERSONNEL - INSTALL AS COMPLETE UNIT**



Circular tree guard set out

## Circular Tree Guard & Grille (sub-surface fix only)

1. Dig appropriate sized hole for tree (approx. two times the width of the tree root ball and the same depth as the ball)
2. Position and correctly orientate tree grille frame centrally over hole so that the top of the frame is at ground level. Ensure that frame is stable
3. Check level of frame & re-instate ground level up to frame edge (ideally setting frame in concrete for stability).
4. Position tree in centre of hole and back fill over root ball. Do not back fill too far over the top of the root ball or this may cause the trunk bark to rot, damaging the tree. Lightly tread down backfill to secure tree.
5. Attach the two grille panels to the grille frame using 8 no. M8 x 20mm anti-vandal button head bolts. Tighten to 14Nm.
6. Fix down both halves of the guard frame onto the grille ring plates using 10 no. M8 x 20mm anti-vandal button head bolts. Tighten to 14Nm.
7. Attach the two joining plates to the top of the frame (using 4 off 25mm x S14 pan head screws) to secure the two frame halves together.
8. The tree guard fixing eyes can be used to secure the tree trunk if necessary.

### IMPORTANT NOTE:

Ensure that stainless steel is protected during site cutting of stone – contamination from disc cutters will produce corrosion on stainless steel components.

