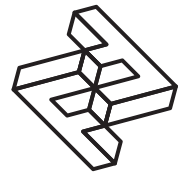
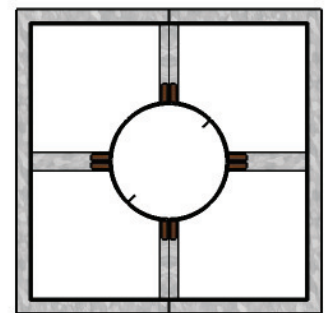
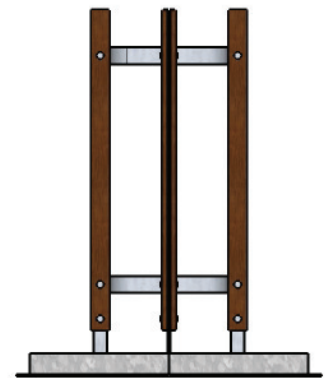
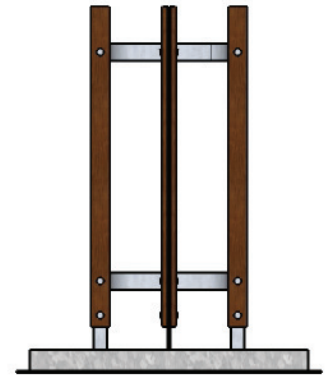
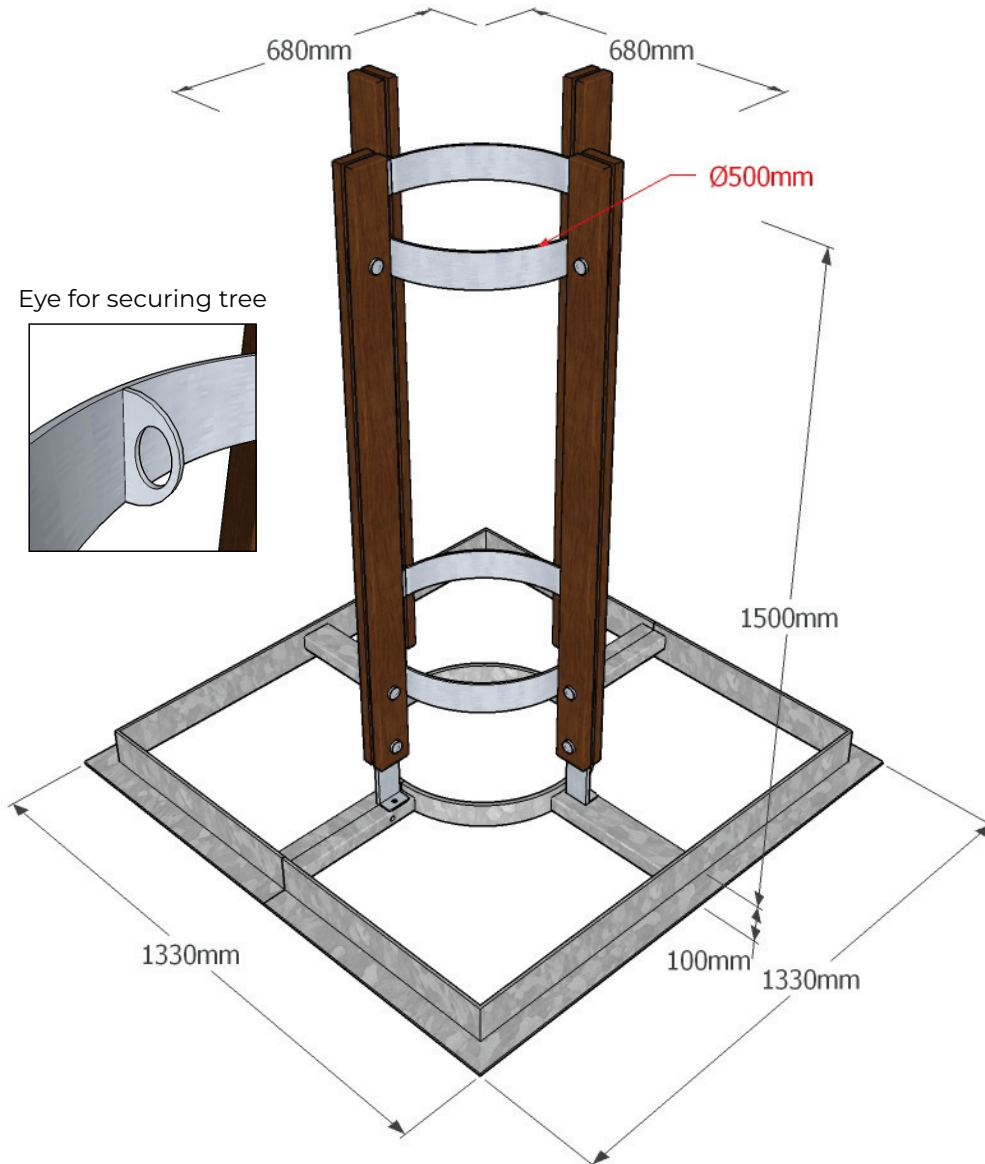


FACTORY FURNITURE



CHRONOS tree guard & base



SPECIFICATIONS

Composition

Slats - FSC® tropical hardwood

Frame - Stainless steel

Base - Hot dip galvanised mild steel

Finish

Natural finish as standard. (Oil or microporous woodstain available on request). Satin polished stainless steel

Dimensions

Metric L 1330mm | width 1330mm | height 1500mm*

Imperial L 4' 4½" | width 4' 4½" | height 4' 11"

* Not including +100mm below ground level

Approx weight 101kg



Fixing method

Base root fixed 100mm (4") below ground level

****Base and tree guard split into two sections for assembly around existing tree or fixture****

Handling

Please observe health & safety lifting guidelines. A fork lift or crane will be required for off-loading and positioning of items

Maintenance

Depends on usage/position. All elements will require cleaning annually. Wooden elements should be treated every other year if coated. Galvanised steel will require maintenance only if damaged. Stainless steel requires no maintenance