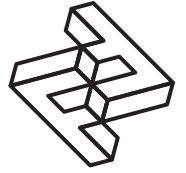
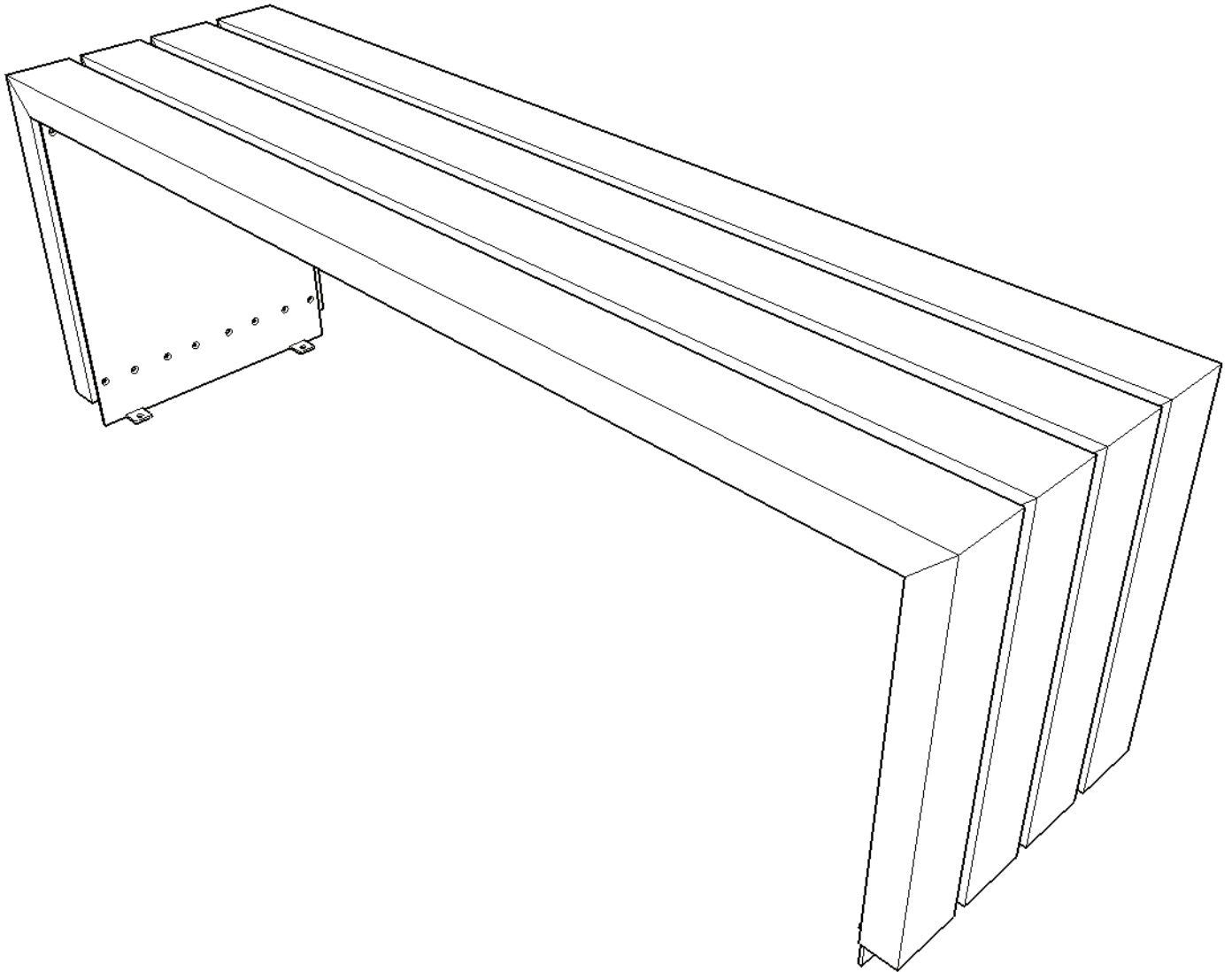

FACTORY FURNITURE



BLOC table - wood



Operation & Maintenance Manual

Factory Furniture Ltd | 5 Pioneer Road | Faringdon | Oxfordshire SN7 7BU | T +44 (0)1367 242731
hello@factoryfurniture.co.uk | www.factoryfurniture.co.uk

We reserve the right to change specification without notice. © 2017 Factory Furniture Ltd

Introduction

Design

Design, shop drawings and development by Factory Furniture Ltd.

Manufacture

Factory Furniture manufactured components. Products are assembled in Factory workshops, checked and dispatched ready for installation. Replacement products or components thereof should be ordered direct from Factory Furniture Ltd.

Copyright

The design copyright for the product and drawing copyright remains the sole property of Factory Furniture Ltd.

General Specifications

Table

Metric length 2150mm | width 595mm | height 750mm*

Imperial length 7' ½" | width 1' 11½" | height 2' 5½"

* Not including +100mm below ground level for sub-surface fix option

Approx Weight 169kg

Fixing Centres 1960mm (6' 5") x 425mm (1' 4½")

The wood Bloc table can be combined with a couple of wood Bloc benches to create an outdoor dining set.

Detailed Material & Finish Specifications

Table Top

- Manufactured from FSC® certified tropical hardwood (*other FSC timber options available upon request*)
- Slats are profiled and left untreated as standard (*oil or microporous woodstain treatment available on request*)
- Supported by stainless steel frame



Frame (*2 side panels and central tie*)

- Manufactured from stainless steel with a satin polished finish.
- Anchored to ground using 4 no. zinc-coated M10 x 75mm sleeve anchors per table. Sleeve anchors on surface fix option protected by anti-vandal armour rings.

General Maintenance (*Recommended Schedule & Guidelines*)

Daily/Weekly/Monthly (*or as adopted*)

Visual checks of timber table slats and frame - check all items for superficial or physical damage.

Three Monthly

Clean all items as detailed below check all fixings are seated correctly; inspect timber for serious damage and splinters.

Six Monthly

Secure all fixings; full clean as detailed below; check that table is firmly secured to the ground

Specific Maintenance Details

FSC Timber

Clean with a stiff brush once per year, especially in more exposed locations, in order to prevent a verdigris type build up on the timber surface. Ideally this should be completed in early spring. During the cleaning stage, all exposed timber surfaces should be inspected for splits and splinters. Any splinters and graffiti should be removed and the surface sanded with 100 grit sandpaper in order to remove any uneven / sharp edges or surfaces.

During the first few months after installation the tannin naturally occurring in the timber may leach out and cause a brown staining on the bases. This may be removed with a light solution of household bleach and water.

Stainless Steel (*polished stainless steel only*)

Clean as required, but at least every three months, using a stainless steel polish and a lint free cloth. To remove ground in dirt, a stainless steel finishing pad may be required.

Repairs

FSC Timber

For light damage, please see section on specific maintenance details above. For instances of heavy damage, the timber item should be replaced. Please order against the part number reference in the reordering section towards the end of this manual.

Stainless Steel

Light damage (surface scratches etc.) can be removed using an emery pad (240 grit) and freeing oil such as 'WD40'. Care should be taken to follow the direction of the brushing grain. It is recommended that a trial repair be carried out on an unimportant surface first. No corrosive cleaners or other abrasives should be used. Any contamination, particularly carbon steel scuffs from vehicles, should be quickly removed to avoid corrosion.

Heavy Damage

In the event of serious damage to any component, replacements should be ordered from Factory Furniture Ltd. In this event (or if the product needs to be disassembled for any reason), please contact Factory Furniture for detailed technical advice.

Reordering / Spares

Part No.

Item Description

| | |
|------------|----------------------------------------------------------------------|
| P2005 / 01 | 1 no. Bloc table (wood) slat set (8 sides slats and 4 top slats) |
| P2005 / 02 | 1 no. Bloc table (wood) side frame (left or right) - Surface fix |
| P2005 / 03 | 1 no. Bloc table (wood) side frame (left or right) - Sub-surface fix |
| P2005 / 04 | 1 no. Bloc table(wood) central support |

Instructions For Reordering

If possible, please specify job name or number at the time of reordering to enable identification of details such as the original species of timber used, stainless steel finishes and polyester powder coat colours etc. In any event where either, additional orders are required, or spares and replacements are required please contact Factory Furniture Ltd. Using the part numbers given above as reference should help us to process your enquiry more efficiently.

Note - All fittings required to assemble ordered parts will automatically be included in the order.

AutoCAD Drawing List

| | | |
|-------------|-------------------|------------------------------|
| FF2005 / 01 | BLOC TABLE (WOOD) | GENERAL ARRANGEMENT DRAWING |
| FF2005 / 02 | BLOC TABLE (WOOD) | X-SECTION DRAWINGS |
| FF2005 / 03 | BLOC TABLE (WOOD) | TIMBER PARTS DETAIL DRAWINGS |
| FF2005 / 04 | BLOC TABLE (WOOD) | STEEL PARTS DETAIL DRAWINGS |
| FF2005 / 05 | BLOC TABLE (WOOD) | SETTING OUT DRAWING |

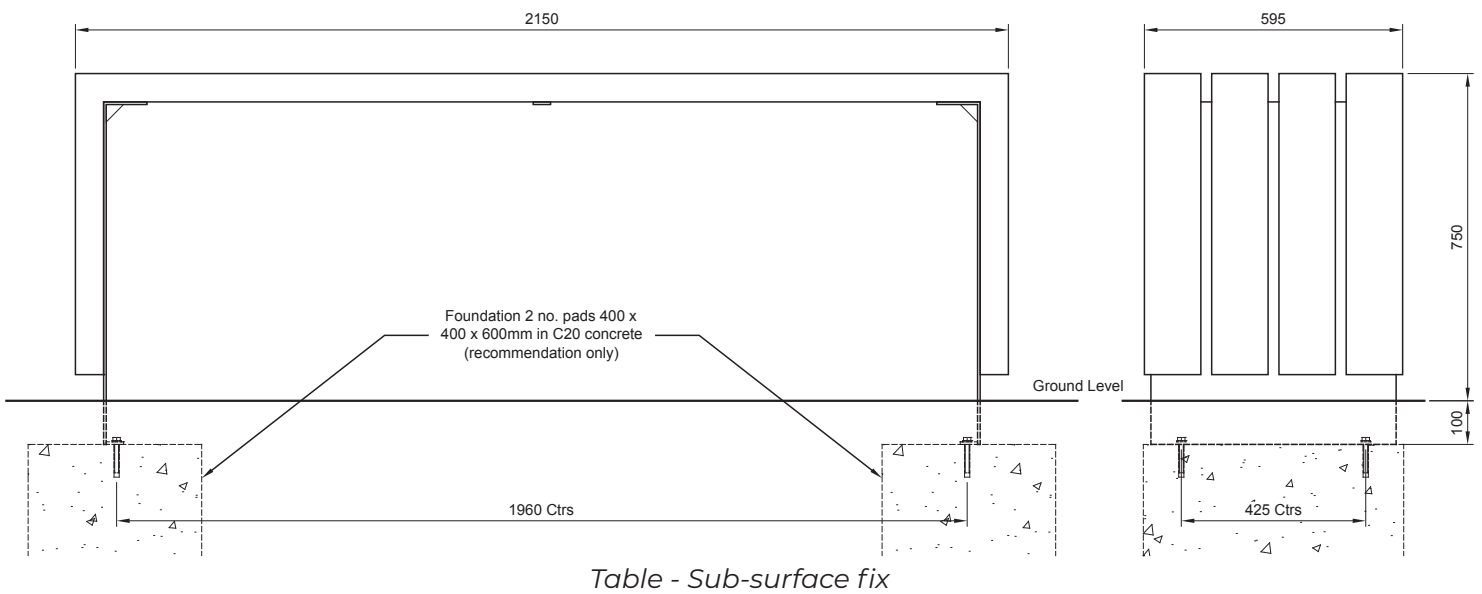
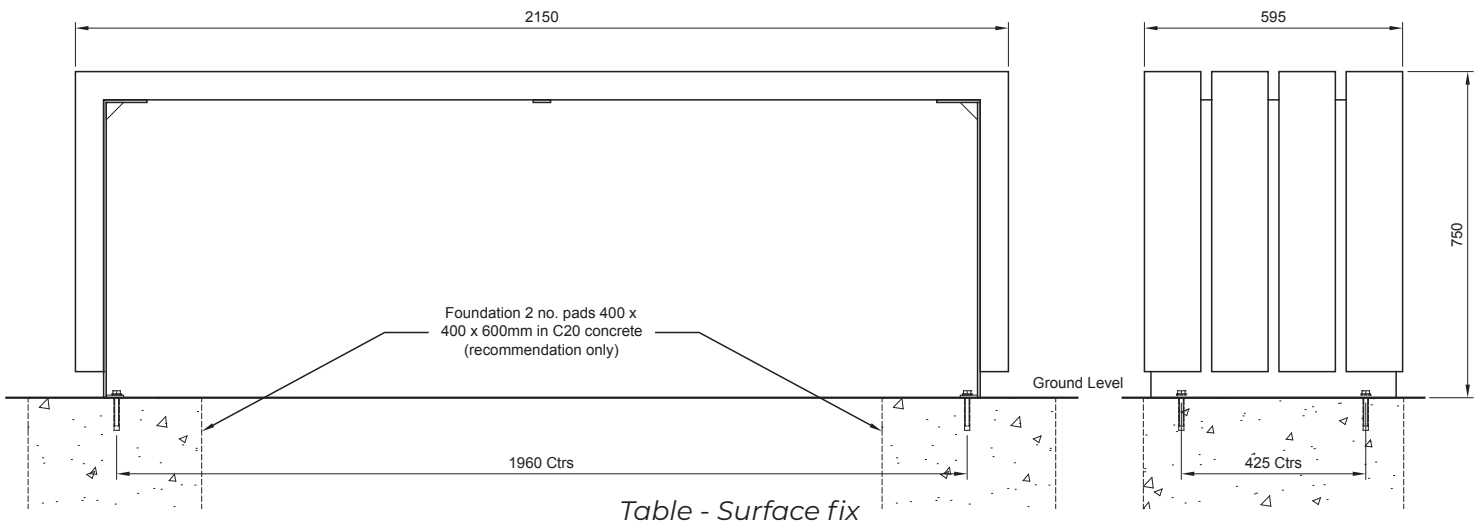
Contacts

Factory Furniture Ltd
5 Pioneer Road
Faringdon, Oxon
SN7 7BU UK

Tel +44 (0) 1367 242731
Email hello@factoryfurniture.co.uk
Web www.factoryfurniture.co.uk

Installation Instructions

ALL INSTALLATION WORKS TO BE CARRIED OUT BY COMPETENT PERSONNEL - INSTALL AS COMPLETE UNIT

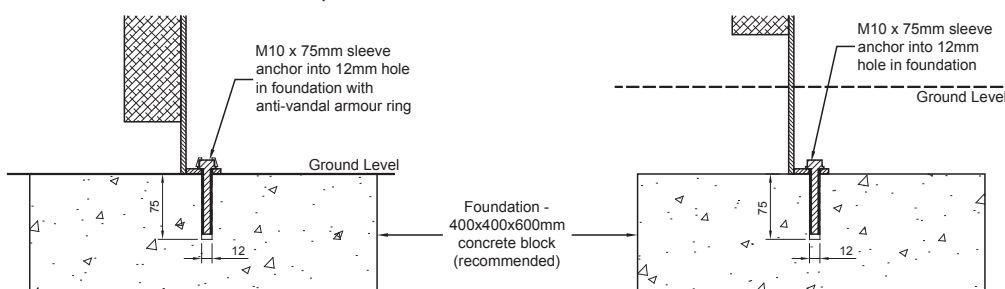


Bloc Table (Wood) (surface & sub-surface fix)

1. Install suitable foundation pads (see illustration) each with top face at ground level or 100mm below finished ground level for sub-surface fix
2. Position table in correct orientation with bases centrally on foundation pads; mark hole positions through fixing lugs.
3. Remove the table; drill holes $\text{Ø}12\text{mm} \times 75\text{mm}$ deep (or as bolt manufacturer's recommendations).
4. Clear debris from holes.
5. Reposition table and fix to foundation pads using 4 no. zinc-coated M10 x 75mm sleeve anchors tightened to 50Nm (or as per manufacturer's instruction). Ensure table remains level during fixing process. For surface fix, hammer an anti-vandal armour ring over each bolt head to prevent tampering.
6. Check level & re-instate ground level if necessary (sub-surface fix).

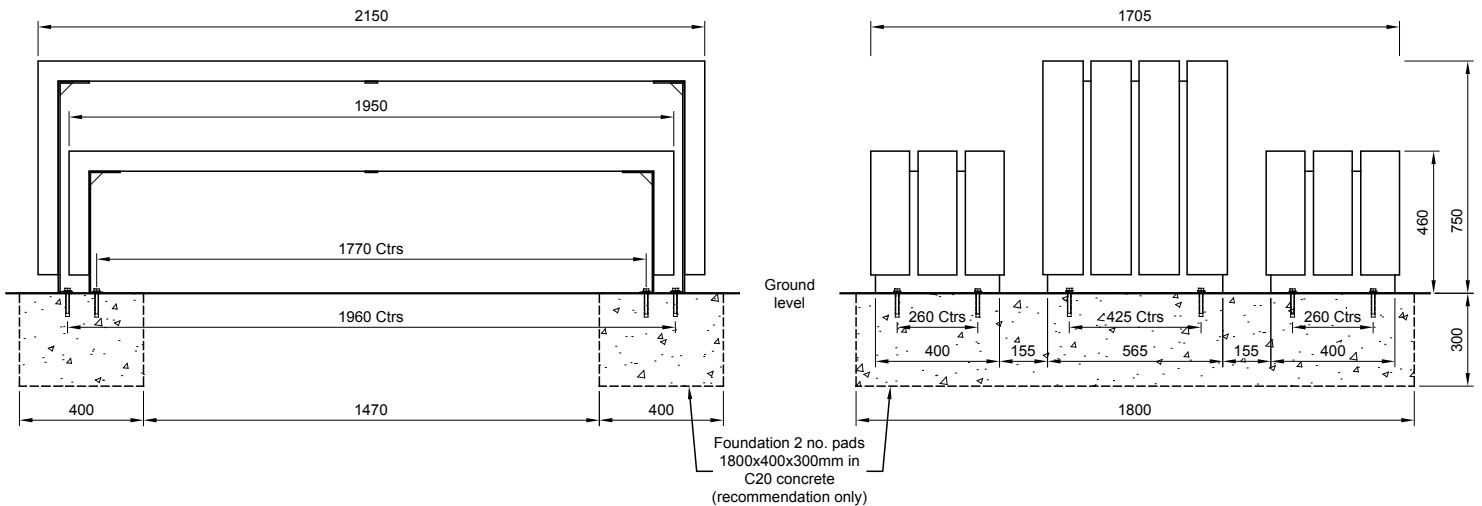
IMPORTANT NOTE:

Ensure that stainless steel is protected during site cutting of stone – contamination from disc cutters will produce corrosion on stainless steel components.



Installation Instructions

ALL INSTALLATION WORKS TO BE CARRIED OUT BY COMPETENT PERSONNEL - INSTALL AS COMPLETE UNIT



*Setting out dimensions (showing surface fix option
- dims the same for sub-surface fix)*

Bloc Outdoor Dining Set (Wood) (surface & sub-surface fix option)

1. Install suitable foundation pads (see illustration) each with top face at ground level (or 100mm below finished ground level for sub-surface fix)
2. Position table and benches in correct orientation with bases centrally on foundation pads; mark hole positions through fixing lugs.
3. Remove the table and benches; drill holes $\text{Ø}12\text{mm}$ x 75mm deep (or as bolt manufacturer's recommendations).
4. Clear debris from holes.
5. Reposition table and benches and fix to foundation pads using 4 no. zinc-coated M10 x 75mm sleeve anchors (per unit) tightened to 50Nm (or as per manufacturer's instruction). Ensure table and benches remain level during fixing process. For surface fix, hammer an anti-vandal armour ring over each bolt head to prevent tampering.
6. Check level & re-instate ground level if necessary (sub-surface fix).

IMPORTANT NOTE:

Ensure that stainless steel is protected during site cutting of stone – contamination from disc cutters will produce corrosion on stainless steel components.

