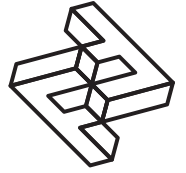
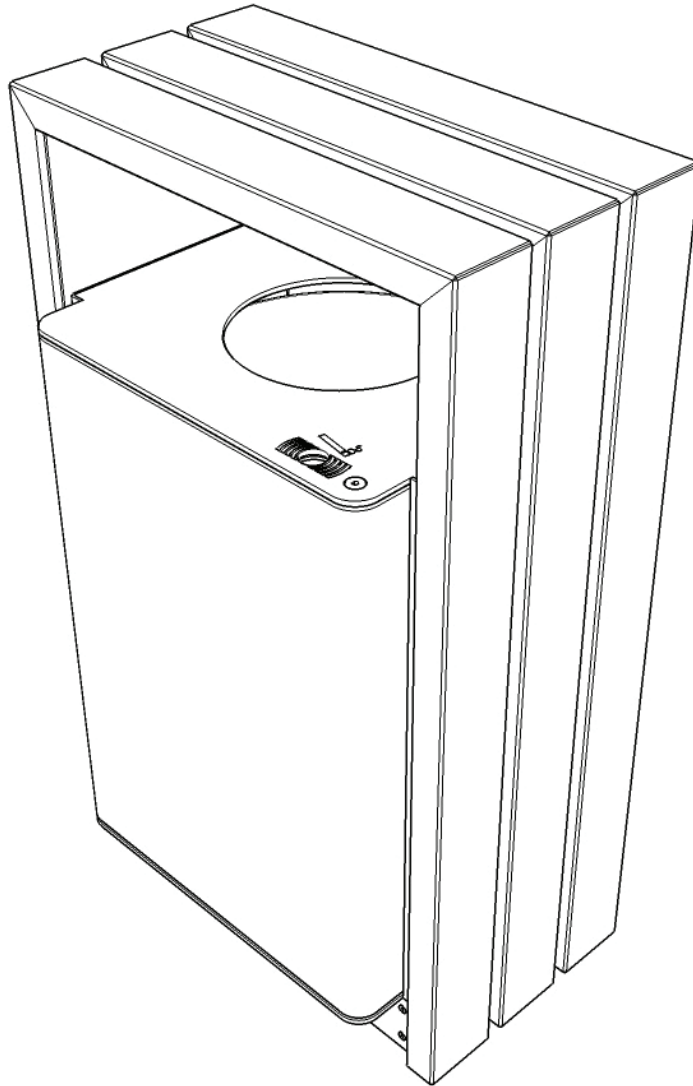


FACTORY FURNITURE



BLOC bin (wood)



Operation & Maintenance Manual

Factory Furniture Ltd | 5 Pioneer Road | Faringdon | Oxfordshire SN7 7BU | T +44 (0)1367 242731
hello@factoryfurniture.co.uk | www.factoryfurniture.co.uk

We reserve the right to change specification without notice. © 2017 Factory Furniture Ltd

Introduction

Design

Design, shop drawings and development by Factory Furniture Ltd.

Manufacture

Factory Furniture manufactured components. Products are assembled in Factory workshops, checked and dispatched ready for installation. Replacement products or components thereof should be ordered direct from Factory Furniture Ltd.

Copyright

The design copyright for the product and drawing copyright remains the sole property of Factory Furniture Ltd.

General Specifications

Bin

Metric length 630mm | width 450mm | height 1050mm

Imperial length 2' 1" | width 1' 5½" | height 3' 5½"

Approx Weight 127kg

Liner Capacity 80ltr

Fixing Centres 400mm (1' 3½")

Detailed Material & Finish Specifications

Slats

- Manufactured from FSC® certified tropical hardwood
- Slats are profiled and left untreated as standard (*oil or microporous woodstain treatment available on request*)
- Slats mounted on removable bin surround - 4 no. fixing points for top slats and 6 no. for side slats



Bin Surround and Internal Frame

- Both are manufactured from hot dipped galvanised mild steel with a polyester powder coated finish (*powder coat colour grey as standard or to customer specification*)
- Bin frame features an all welded construction
- Bin surround is removable and is fixed to frame with 8 no. M8 bolts
- Bin anchored to ground using 2 no. resin fixed M10 x 250mm threaded rods and nuts

Door and Rear Panels

- Both are manufactured from stainless steel - satin polish finish and feature an all welded construction
- Rear panel is fixed to internal frame with 4 no. fixing points
- Hinged door panel opens to allow access to removable bin liner - secured with standard 8mm tri-drive slam lock
- Door panel also houses removable stainless steel ashtray collector

Bin Liner

- Liner is removable
- Manufactured from pre-galvanised mild steel sheet
- Drainage holes in base

General Maintenance *(Recommended Schedule & Guidelines)*

Daily/Weekly/Monthly *(or as adopted)*

Visual checks of bin and liner - check all items for superficial or physical damage.

Three Monthly

Clean all items as detailed below check all fixings are seated correctly.

Six Monthly

Secure all fixings; full clean as detailed below; check that bin is firmly secured to the ground

Specific Maintenance Details

FSC Timber

Clean with a stiff brush once per year, especially in more exposed locations, in order to prevent a verdigris type build up on the timber surface. Ideally this should be completed in early spring. During the cleaning stage, all exposed timber surfaces should be inspected for splits and splinters. Any splinters and graffiti should be removed and the surface sanded with 100 grit sandpaper in order to remove any uneven / sharp edges or surfaces.

During the first few months after installation the tannin naturally occurring in the timber may leach out and cause a brown staining on the bases. This may be removed with a light solution of household bleach and water.

Stainless Steel *(polished stainless steel only)*

Clean as required, but at least every three months, using a stainless steel polish and a lint free cloth. To remove ground in dirt, a stainless steel finishing pad may be required.

Polyester Powder Coated & Galvanised

For general cleaning using a damp cloth and warm soapy water only. Scourers and abrasive cleaners are NOT suitable for these types of finish and may damage them. Before using any cleaning agents to remove graffiti etc. try on a small, inconspicuous area first to avoid causing more unsightly damage.

Repairs

FSC Timber

For light damage, please see section on specific maintenance details above. For instances of heavy damage, the timber item should be replaced. Please order against the part number reference in the reordering section towards the end of this manual.

Stainless Steel

Light damage (surface scratches etc.) can be removed using an emery pad (240 grit) and freeing oil such as 'WD40'. Care should be taken to follow the direction of the brushing grain. It is recommended that a trial repair be carried out on an unimportant surface first. No corrosive cleaners or other abrasives should be used. Any contamination, particularly carbon steel scuffs from vehicles, should be quickly removed to avoid corrosion.

Polyester Powder Coated Surfaces

For light damage (scratches, chips etc.) repair using touch-up paint to match original colour (available from Factory Furniture Ltd). Paint application should be carried out in accordance with approved methods detailed by the paint manufacturer. Please note that it is advisable to use professional painters to achieve best results when touching up larger areas. Products for respraying larger areas are available from Factory Furniture Ltd.

Heavy Damage

In the event of serious damage to any component, replacements should be ordered from Factory Furniture Ltd. In this event (or if the product needs to be disassembled for any reason), please contact Factory Furniture for detailed technical advice.

Reordering / Spares

Part No.	Item Description
P3007 / 01	1 no. Wood Bloc bin slat set (9 no. slats total)
P3007 / 02	1 no. Wood Bloc bin liner
P3007 / 03	1 no. Wood Bloc bin lock
P3007 / 04	1 no. Wood Bloc bin key

Instructions For Reordering

If possible, please specify job name or number at the time of reordering to enable identification of details such as the stainless steel finishes and polyester powder coat colours etc. In any event where either, additional orders are required, or spares and replacements are required please contact Factory Furniture Ltd. Using the part numbers given above as reference should help us to process your enquiry more efficiently.

Note - All fittings required to assemble ordered parts will automatically be included in the order.

AutoCAD Drawing List

FF3007 / 01	WOOD BLOC LITTER BIN	OVERVIEW AND X-SECTION DRAWINGS
FF3007 / 02	WOOD BLOC LITTER BIN	SURROUND ASSEMBLY FABRICATION DRAWINGS
FF3007 / 03	WOOD BLOC LITTER BIN	INNER FRAME ASSEMBLY FABRICATION DRAWINGS (PART 1)
FF3007 / 04	WOOD BLOC LITTER BIN	INNER FRAME ASSEMBLY FABRICATION DRAWINGS (PART 2)
FF3007 / 05	WOOD BLOC LITTER BIN	DOOR PANEL ASSEMBLY FABRICATION DRAWINGS
FF3007 / 06	WOOD BLOC LITTER BIN	BODY PANEL ASSEMBLY FABRICATION DRAWINGS
FF3007 / 07	WOOD BLOC LITTER BIN	ASHTRAY FABRICATION DRAWING
FF3007 / 08	WOOD BLOC LITTER BIN	BIN LINER FABRICATION DRAWING
FF3007 / 09	WOOD BLOC LITTER BIN	SETTING OUT DRAWING

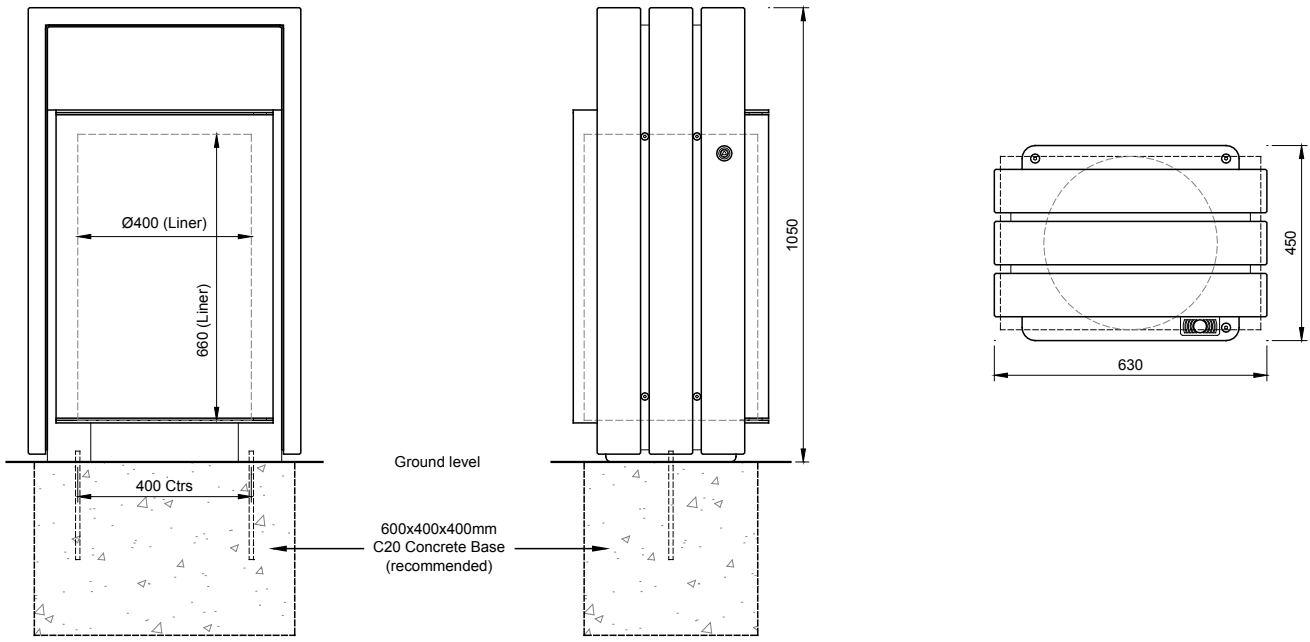
Contacts

Factory Furniture Ltd
5 Pioneer Road
Faringdon, Oxon
SN7 7BU UK

Tel +44 (0) 1367 242731
Email hello@factoryfurniture.co.uk
Web www.factoryfurniture.co.uk

Installation Instructions

ALL INSTALLATION WORKS TO BE CARRIED OUT BY COMPETENT PERSONNEL - INSTALL AS COMPLETE UNIT



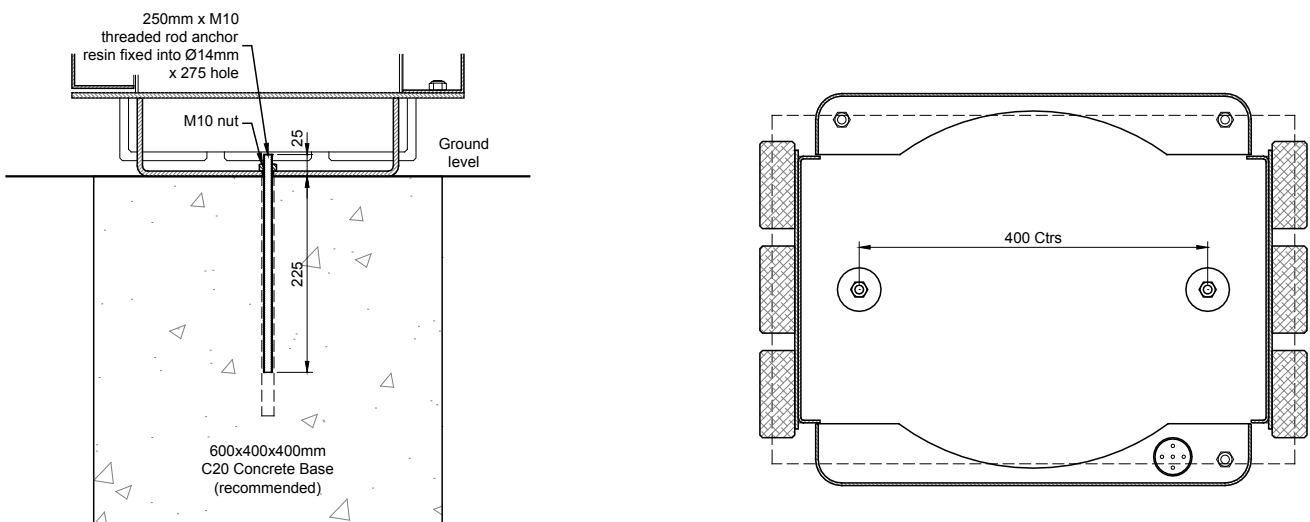
Wood Bloc Bin

Wood Bloc Bin

1. Install suitable foundation pad (see illustration) with top face at ground level
2. Position bin in correct orientation with base centrally on foundation pad, then mark hole positions through base plates
3. Remove the bin; drill holes $\text{Ø}14\text{mm}$ x 275mm deep
4. Clear debris from holes
5. Fill the holes to within approximately 35mm from the top with Hilti HY150 resin (or similar). Lift the bin (with threaded anchorrods/washers/nuts in place) and carefully lower the anchors into the holes, leave for two hours before using
6. Using a torque wrench, tighten nuts to 30Nm to fasten down the bin. Ensure bin remains level during fixing process

IMPORTANT NOTE:

Ensure that stainless steel is protected during site cutting of stone – contamination from disc cutters will produce corrosion on stainless steel components.



Fixing detail