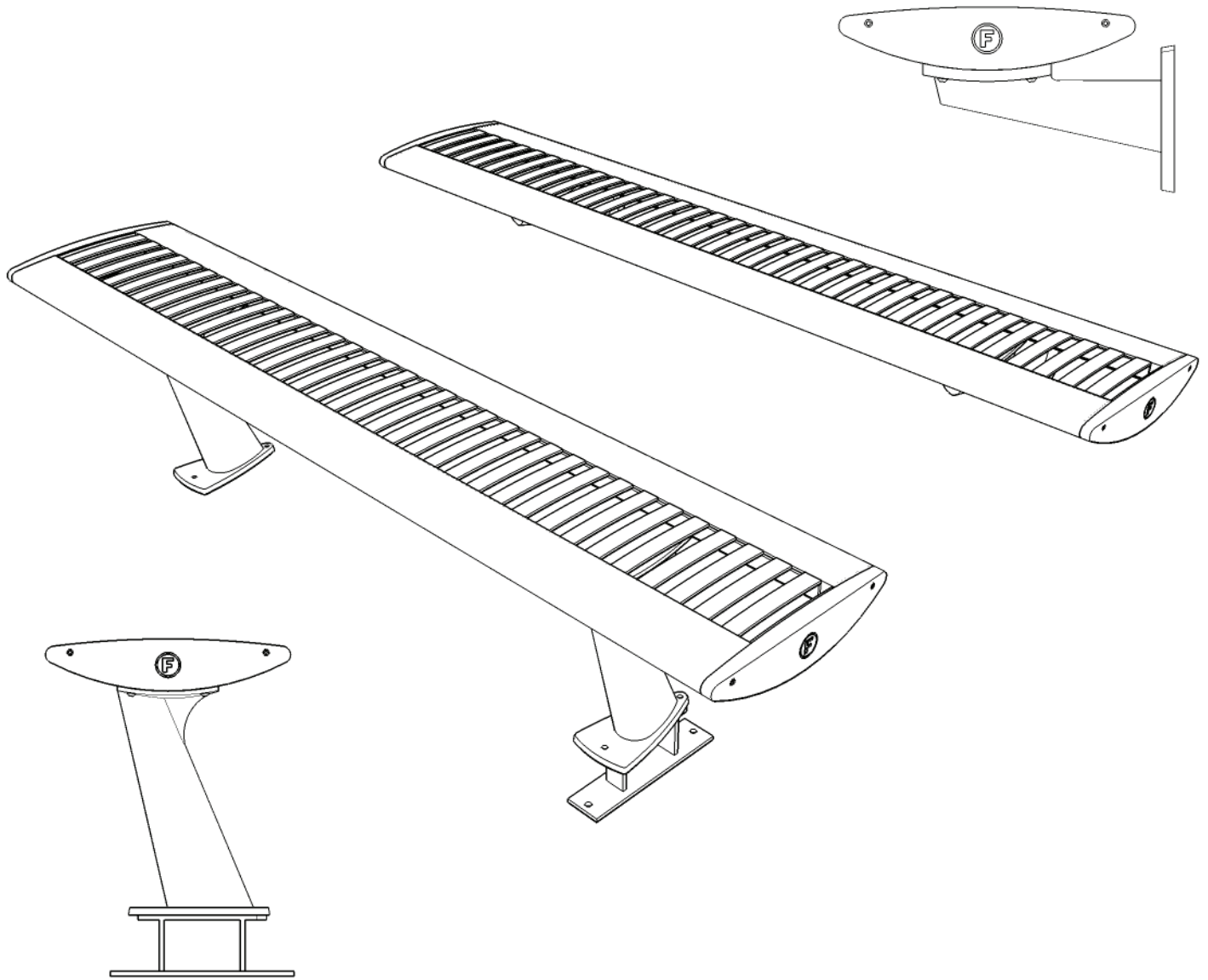




Factoryfurniture

FOIL bench - steel



Operation & Maintenance Manual

Introduction

Design

Design, shop drawings and development by Factory Furniture Ltd

Manufacture

Factory Furniture manufactured components. Products are assembled in Factory workshops, checked and dispatched ready for installation. Replacement products or components thereof should be ordered direct from Factory Furniture Ltd

Copyright

The design copyright for the product and drawing copyright remains the sole property of Factory Furniture Ltd

General Specifications

Bench (Floor fix)

Metric length 2010mm | width 400mm | height 450mm*

Imperial length 6' 7" | width 1' 3½" | height 1' 5½"

*Not including 100mm anchor below ground level if required

Approx weight 42kg (47g including 2 x anchors)

Fixing centres *Surface fix* - 1265mm (4' 2") x 190mm (7½")

Anchor - 1265mm (4' 2") x 270mm (10½")

Bench (Wall fix)

Metric length 2010mm | width 455mm | height 250mm**

Imperial length 6' 7" | width 1' 6" | height 10"

**Ideally fitted with upper surface @ 450mm (1' 5½") above gnd lvl

Approx weight 41kg

Fixing centres 1265mm (4' 2") between base centres

Base holes 75mm (3") x 140mm (5½")

Detailed Material & Finish Specifications

Bench top

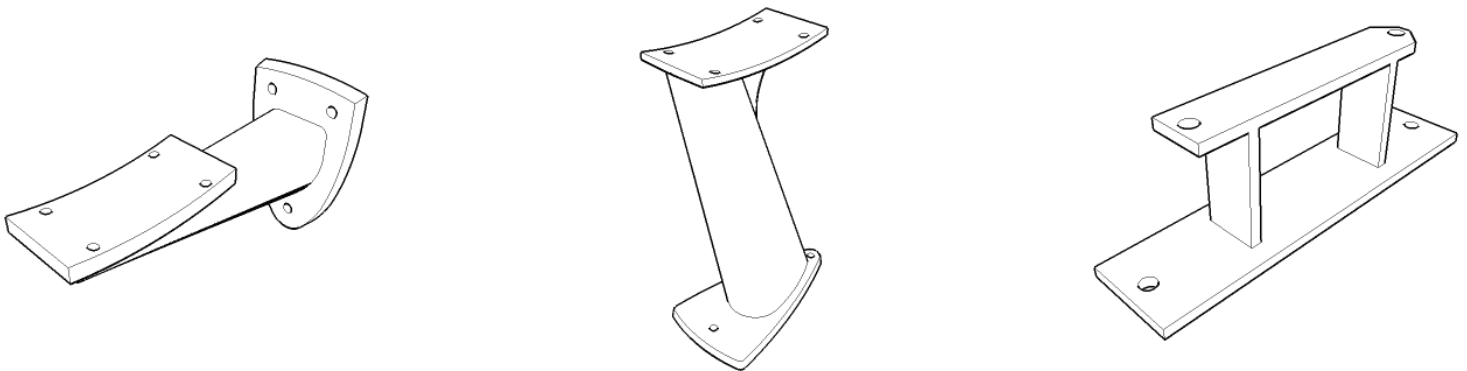
- Bench top (slats, front & rear edges and base rails) are manufactured from stainless steel with a satin polished finish
- End caps manufactured from cast aluminium - polyester powder coated finish (*powder coat colour grey as standard or to customer specification*).
- Supported on two bases (*see options below*) attached with 4 no. fixing points per base.

Bases - Floor fix

- Manufactured from cast aluminium - polyester powder coated finish (*powder coat colour grey as standard or to customer specification*).
- Anchored via 2 no. resin fixed M10 x 200mm threaded rods and cap nuts per base (surface fix) or 2 no. M8 x 30mm stainless steel bolts fixing to sub-surface anchor.
- Sub-surface anchor (*optional*) manufactured from mild steel with a hot dip galvanised finish. Anchored to foundation pad using 2 no. zinc-coated M10 x 75mm sleeve anchors per anchor.

Bases - Wall fix

- Manufactured from cast aluminium - polyester powder coated finish (*powder coat colour grey as standard or to customer specification*).
- Anchored via 3 no. resin fixed M10 x 200mm threaded rods and cap nuts per base.



Base Options (from left to right) Wall fix, Floor fix, Sub-surface anchor (optional)

General Maintenance *(Recommended Schedule & Guidelines)*

Daily/Weekly/Monthly *(or as adopted)*

Visual checks of seat top, back (foil seat only) and bases - check all items for superficial or physical damage.

Three Monthly

Clean all items as detailed below check all fixings are seated correctly; inspect timber for serious damage and splinters.

Six Monthly

Secure all fixings; full clean as detailed below; check that bench is firmly secured to the ground

Specific Maintenance Details

Stainless Steel *(polished stainless only)*

Stainless steel finishes should be cleaned as required, but at least every three months, using a stainless steel polish and a lint free cloth. To remove ground in dirt, a stainless steel finishing pad may be required.

Polyester Powder Coated & Galvanised

For general cleaning using a damp cloth and warm soapy water only. Scourers and abrasive cleaners are NOT suitable for these types of finish and may damage them. Before using any cleaning agents to remove graffiti etc. try on a small, inconspicuous area first to avoid causing more unsightly damage.

Repairs

Stainless Steel

In the event of damage, surface scratches can be removed using an emery pad (240 grit) and freeing oil such as "WD40". Care must be taken to follow the direction of the brushing grain. It is recommended that a trial repair be carried out on an unimportant surface first. No corrosive cleaners or other abrasives should be used. Any contamination, particularly carbon steel scuffs from vehicles, should be quickly removed to avoid corrosion.

Galvanised Surfaces

For light damage to hot dipped galvanised finishes repair using a high performance cold galvanising zinc spray (70% zinc or above). Spray application should be carried out in accordance with approved methods detailed by the product manufacturer. Please note that it is advisable to use professional painters to achieve best results when touching up larger areas.

Polyester Powder Coated Surfaces

For light damage (scratches, chips etc.) repair using touch-up paint to match original colour (available from Factory Furniture Ltd). Paint application should be carried out in accordance with approved methods detailed by the paint manufacturer. Please note that it is advisable to use professional painters to achieve best results when touching up larger areas. Products for respraying larger areas are available from Factory Furniture Ltd.

Heavy Damage

In the event of serious damage to any component, replacements should be ordered from Factory Furniture Ltd. In this event (or if the product needs to be disassembled for any reason), please contact Factory Furniture for detailed technical advice.

Reordering / Spares

Part #	Item Description
P1003/02	1 no. Foil steel bench top unit (not including aluminium end caps)
P1002/03	1 no. Foil bench aluminium end cap*
P1003/04	1 no. Foil bench floor fix base*
P1003/05	1 no. Foil bench wall fix base*
P1003/06	1 no. Foil bench sub-surface anchor

**Please specify original polyester powder coat colour when placing order*

Instructions For Reordering

If possible, please specify job name or number at the time of reordering to enable identification of details such as the original species of timber used, stainless steel finishes and polyester powder coat colours etc. In any event where either, additional orders are required, or spares and replacements are required please contact Factory Furniture Ltd. Using the part numbers given above as reference should help us to process your enquiry more efficiently.

Note - All fittings required to assemble ordered parts will automatically be included in the order.

AutoCAD Drawing List

FF1003 / 01	FOIL BENCH (WOOD)	GENERAL ARRANGEMENT DRAWING
FF1003 / 02	FOIL BENCH (WOOD)	PARTS DETAIL DRAWING
FF1003 / 03	FOIL BENCH (STEEL)	GENERAL ARRANGEMENT DRAWING
FF1003 / 04	FOIL BENCH (STEEL)	PARTS DETAIL DRAWING
FF1003 / 05	FOIL BENCH (WOOD/STEEL)	FABRICATION DRAWING - BASE OPTIONS
FF1003 / 06	FOIL BENCH (WOOD/STEEL)	SETTING OUT DRAWING

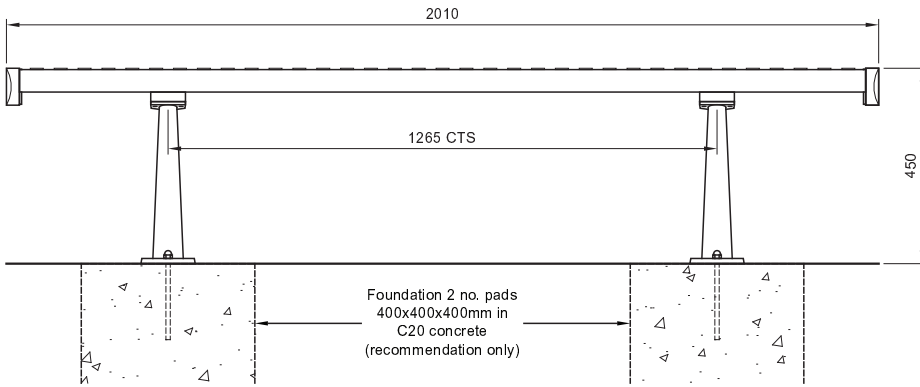
Contacts

Factory Furniture Ltd
The Stableyard
Coleshill
Swindon
Wiltshire
SN6 7PT
U.K.

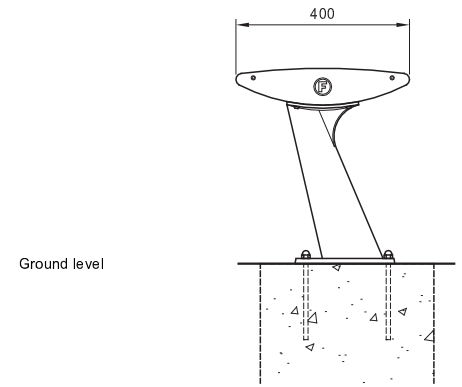
Tel +44 (0) 1793 763829
Fax +44 (0) 1793 861615
Email hello@factoryfurniture.co.uk
Web www.factoryfurniture.co.uk

Installation Instructions

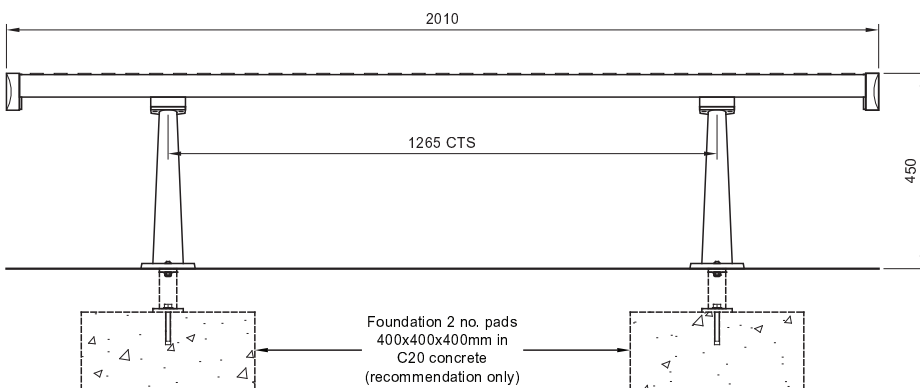
ALL INSTALLATION WORKS TO BE CARRIED OUT BY COMPETENT PERSONNEL - INSTALL AS COMPLETE UNIT.



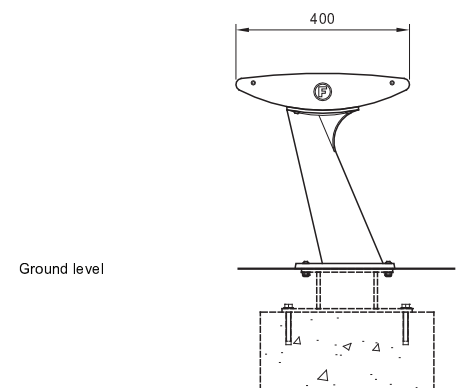
Floor fix (*surface fix*)



Ground level



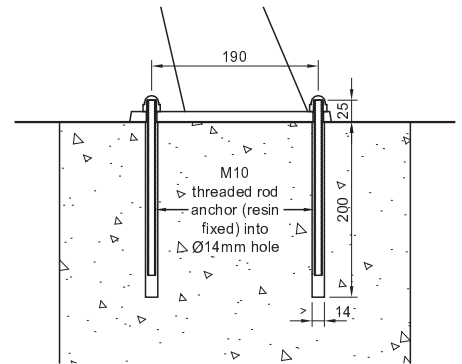
Floor fix (*sub-surface fix*)



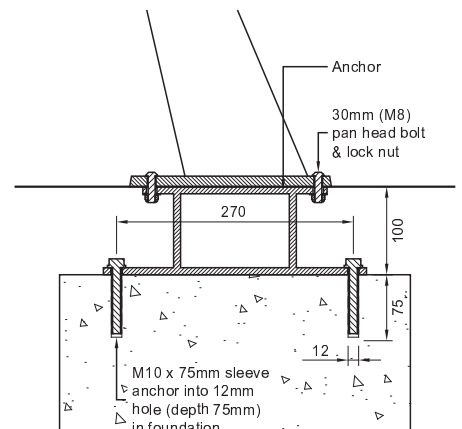
Ground level

Foil bench (steel) - Floor fix (*surface & sub-surface anchor fix*)

1. Install suitable foundation with top face at ground level or 100mm below finished ground level for sub-surface fix.
2. Unpack pair of bases and attach to the seat using the 8 no. M8 dome nuts and tighten to 14Nm. For surface mount attach an anchor to each base using the 8 no. M8 dome bolts and tighten to 14Nm.
3. Position bench in correct orientation on centre of foundation pads, then mark hole positions through base plates (or anchor plates).
4. Remove the bench; drill holes $\text{\O}14\text{mm} \times 200\text{mm}$ deep (surface fix) or $\text{\O}12\text{mm} \times 75\text{mm}$ deep (sub-surface fix) or as manufacturer's recommendations.
5. Clear debris from holes.
- 6a. (*Surface fix*) Fill the holes to within approximately 35mm from the top with Hilti HY150 resin (or similar). Lift the seat (with threaded anchor rods/capnuts in place) and carefully lower the anchors into the holes, leave for two hours before using.
- 6b. Using a torque wrench, tighten nuts and washers over flange plates to 30Nm to hold down the bench.
7. (*Sub-surface fix*) Reposition bench unit and fix to foundation pads using 4 no. zinc-coated M10 x 75mm sleeve anchors tightened to 50Nm (or as per manufacturer's instruction). Ensure bench remains level during fixing process.
8. Check level & re-instate ground level if necessary (*sub-surface fix*).



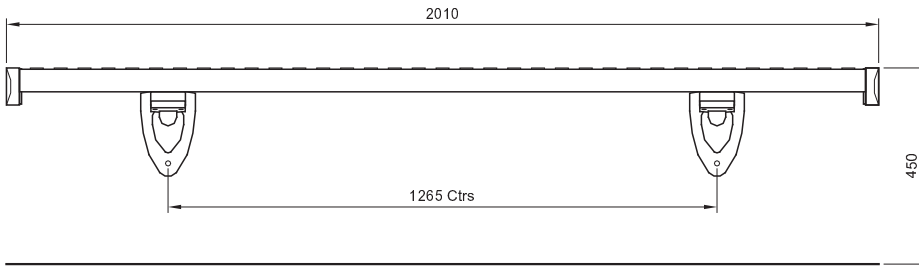
Surface fix



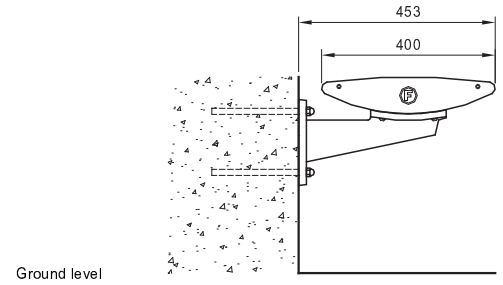
Sub-surface fix

Installation Instructions

ALL INSTALLATION WORKS TO BE CARRIED OUT BY COMPETENT PERSONNEL - INSTALL AS COMPLETE UNIT.

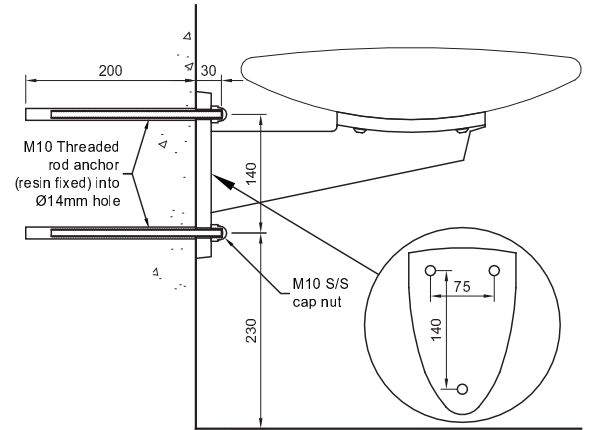


Wall fix



Foil bench (steel) - Wall fix

1. Prepare suitable wall surface - suitable substrates include concrete, brick, stone or similar
2. Unpack pair of bases and attach to the bench using the 8 no. M8 dome nuts and tighten to 14Nm
3. Position bench in desired position on wall, then mark hole positions through base plates.
4. Remove the bench; drill holes $\text{\O}14\text{mm}$ x 200mm deep
5. Clear debris from holes.
6. Fill the holes to within approximately 35mm from the opening with Hilti HY150 resin (or similar). Lift the bench (with threaded anchor rods/capnuts in place) and carefully push the anchors into the holes. Securely prop bench in position and leave for two hours before using.
7. Using a torque wrench, tighten nuts and washers over base plate to 30Nm to secure the bench ensuring that it remains level.



Floor fix (sub-surface fix)