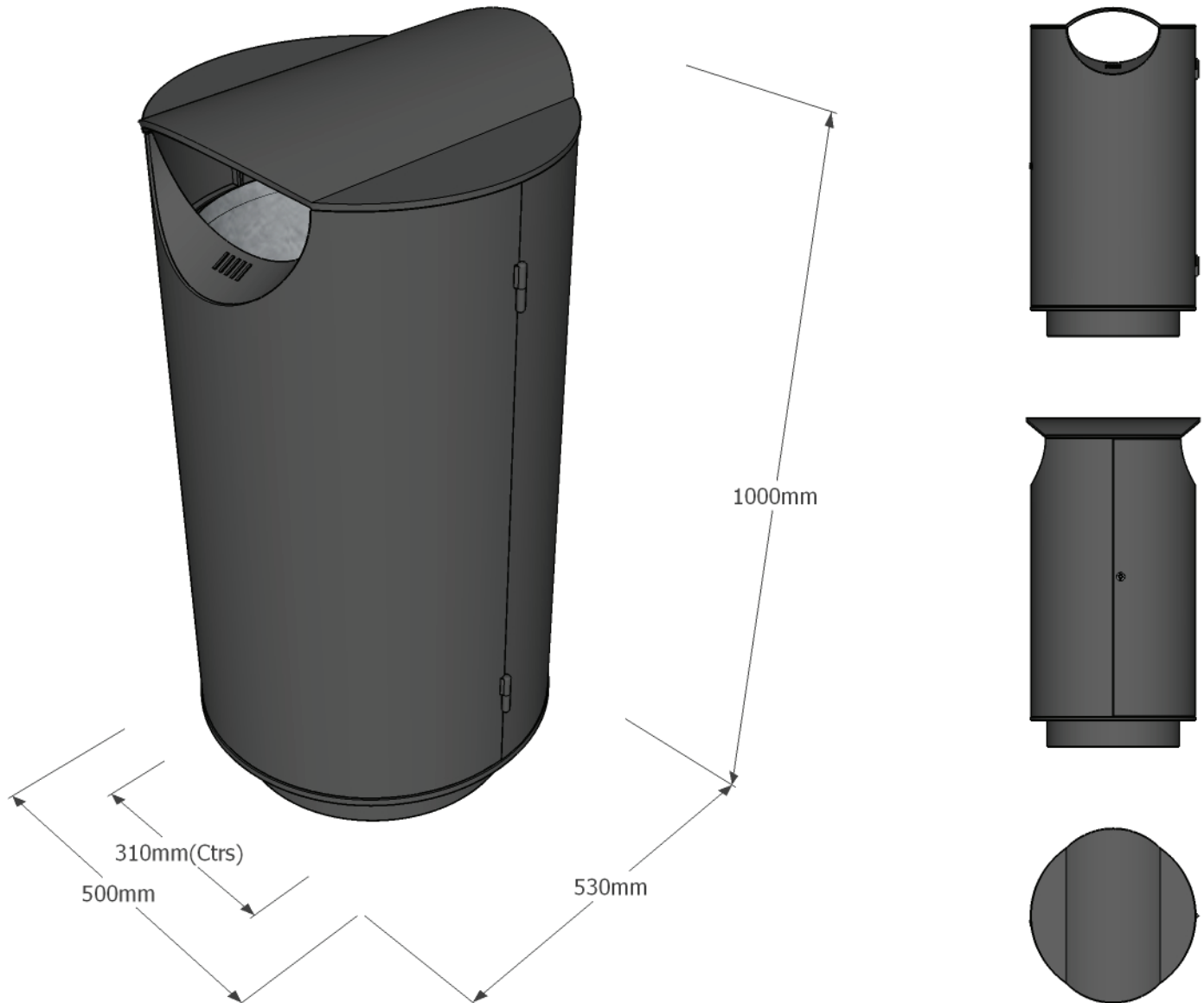




ROUND bin (large)



SPECIFICATIONS

composition

Bin - Galvanised & powder-coated mild steel*

Bin liner - Galvanised mild steel

Door at front with slam lock to access removable bin liner

dimensions

Metric length 530mm | width 500mm | height 1000mm

Imperial length 1' 9" | width 1' 7½" | height 3' 3½"

bin liner capacity 100ltrs

fixing centres & method

310mm (12")

2 no. resin fixed anchors (concealed in base)

approx weight 76kg

foundation

1 no. pads 500 x 500 x 400 mm in C20 concrete (recommendation only)

handling

Please observe health & safety lifting guidelines. A fork lift or crane may be required for off-loading & positioning of item

maintenance

Depends on usage and position. All elements require annual cleaning. Galvanised and powder coated mild steel only require maintenance if damaged.

**Please note that when a powdercoat is applied over a hot dip galvanised surface pinholing can occur in the surface finish - this is not considered a defect.*