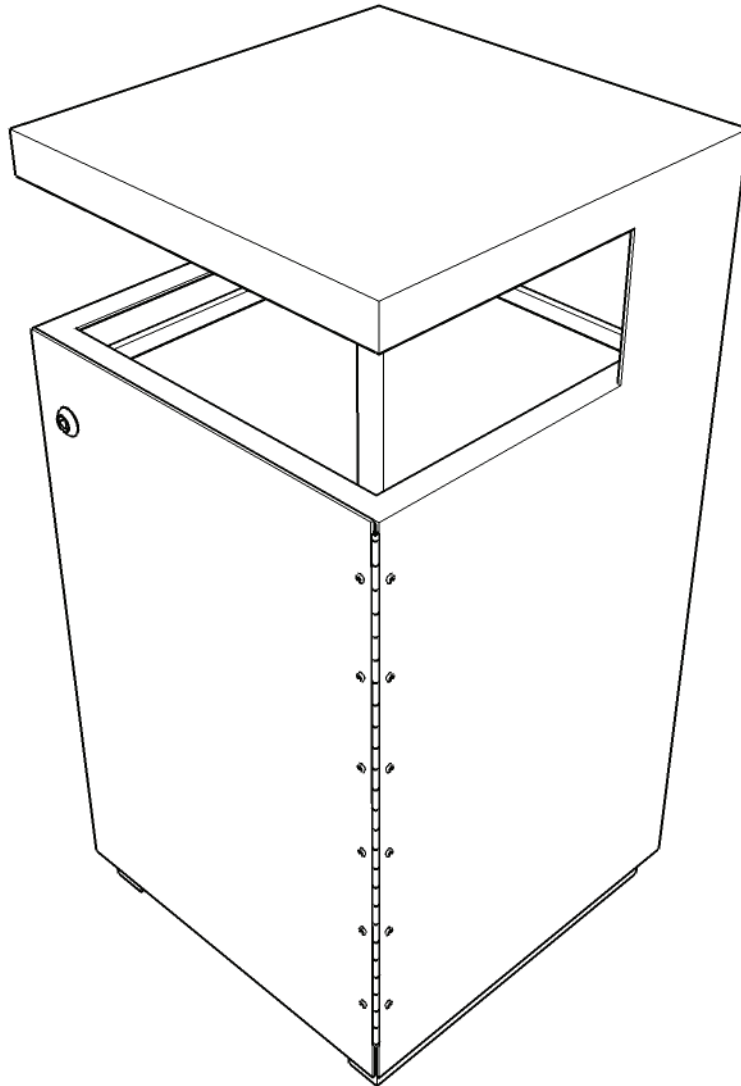




**Factoryfurniture**

## SKOP bin

---



# Operation & Maintenance Manual

---

# Introduction

## Design

Design, shop drawings and development by Factory Furniture Ltd

## Manufacture

Factory Furniture manufactured components. Products are assembled in Factory workshops, checked and dispatched ready for installation. Replacement products or components thereof should be ordered direct from Factory Furniture Ltd

## Copyright

The design copyright for the product and drawing copyright remains the sole property of Factory Furniture Ltd

# General Specifications

## Bin

*Metric* length 450mm | width 450mm | height 900mm

*Imperial* length 1' 5½" | width 1' 5½" | height 2' 11½"

**Approx Weight** 50kg

**Liner Capacity** 90ltr

**Fixing Centres** 360mm (1' 2") x 250mm (10")

# Detailed Material & Finish Specifications

## Bin

- Manufactured from stainless steel with satin polished finish
- Hinged door for access to bin liner. Hinge door is lockable.
- Hinges for door manufactured from stainless steel
- Anchored using 4 no. zinc-coated steel M10 x 75mm sleeve anchors per base

## Liner

- Liner is removable
- Manufactured from mild steel sheet with a hot dipped galvanised finish

# General Maintenance *(Recommended Schedule & Guidelines)*

## **Daily/Weekly/Monthly** *(or as adopted)*

Visual checks of bin and liner - check all items for superficial or physical damage.

## **Three Monthly**

Clean all items as detailed below check all fixings are seated correctly.

## **Six Monthly**

Secure all fixings; full clean as detailed below; check that bin is firmly secured to the ground

# Specific Maintenance Details

## **Stainless Steel** *(polished stainless steel only)*

Clean as required, but at least every three months, using a stainless steel polish and a lint free cloth. To remove ground in dirt, a stainless steel finishing pad may be required.

## **Galvanised**

For general cleaning using a damp cloth and warm soapy water only. Scourers and abrasive cleaners are NOT suitable for this type of finish and may damage it. Before using any cleaning agents to remove graffiti etc. try on a small, inconspicuous area first to avoid causing more unsightly damage.

---

# Repairs

## **Stainless Steel**

Light damage (surface scratches etc.) can be removed using an emery pad (240 grit) and freeing oil such as 'WD40'. Care should be taken to follow the direction of the brushing grain. It is recommended that a trial repair be carried out on an unimportant surface first. No corrosive cleaners or other abrasives should be used. Any contamination, particularly carbon steel scuffs from vehicles, should be quickly removed to avoid corrosion.

## **Galvanised Surfaces**

For light damage to hot dipped galvanised finishes repair using a high performance cold galvanising zinc spray (70% zinc or above). Spray application should be carried out in accordance with approved methods detailed by the product manufacturer. Please note that it is advisable to use professional painters to achieve best results when touching up larger areas.

## **Heavy Damage**

In the event of serious damage to any component, replacements should be ordered from Factory Furniture Ltd. In this event (or if the product needs to be disassembled for any reason), please contact Factory Furniture for detailed technical advice.

# Reordering / Spares

<b>Part No.</b>	<b>Item Description</b>
P3002 / 01	1 no. Skop bin liner
P3002 / 02	1 no. Skop bin lock & key
P3002 / 03	1 no. Skop bin key

## **Instructions For Reordering**

If possible, please specify job name or number at the time of reordering to enable identification of details such as the stainless steel finishes and polyester powder coat colours etc. In any event where either, additional orders are required, or spares and replacements are required please contact Factory Furniture Ltd. Using the part numbers given above as reference should help us to process your enquiry more efficiently.

Note - All fittings required to assemble ordered parts will automatically be included in the order.

# AutoCAD Drawing List

FF3002 / 01	SKOP LITTER BIN	FABRICATION DRAWING
FF3002 / 02	SKOP LITTER BIN	PARTS DETAIL DRAWING
FF3002 / 03	SKOP LITTER BIN	SET OUT DRAWING
FF3002 / 04	SKOP LITTER BIN	BIN LINER FABRICATION DRAWING

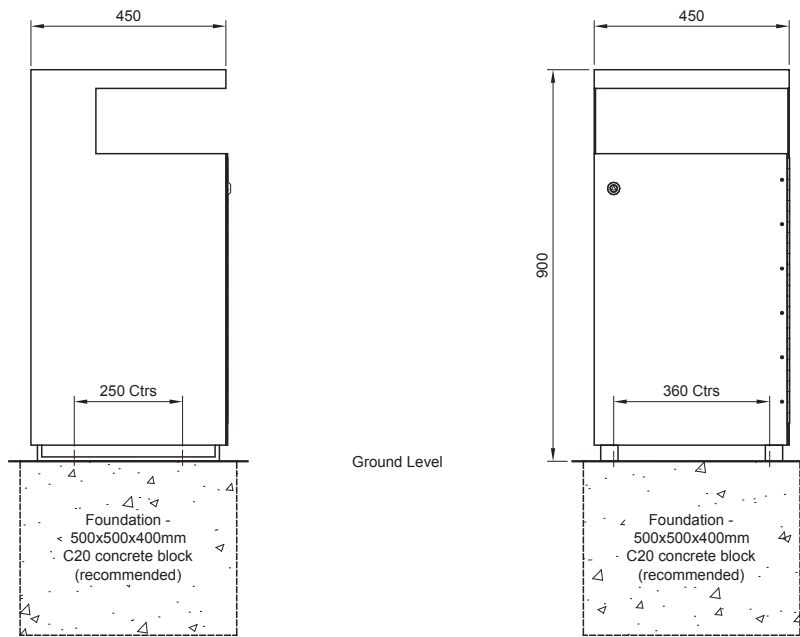
# Contacts

Factory Furniture Ltd,  
The Stableyard,  
Coleshill,  
Swindon.  
Wiltshire SN6 7PT  
U.K.

Tel +44 (0) 1793 763829  
Fax +44 (0) 1793 861615  
Email [sales@factoryfurniture.co.uk](mailto:sales@factoryfurniture.co.uk)  
Web [www.factoryfurniture.co.uk](http://www.factoryfurniture.co.uk)

# Installation Instructions

**ALL INSTALLATION WORKS TO BE CARRIED OUT BY COMPETENT PERSONNEL - INSTALL AS COMPLETE UNIT.**



Skop Bin (Surface Fix Only)

## Skop Bin (surface fix only)

1. Install suitable foundation pad (see illustration) with top face at ground level
2. Position bin in correct orientation with base centrally on foundation pad, then mark hole positions through base plates.
3. Remove the bin; drill holes  $\text{Ø}12\text{mm}$  x 75mm deep or as manufacturer's instructions
4. Clear debris from holes.
5. Reposition bin unit and fix to foundation pads using 4 no. zinc-coated M10 x 75mm sleeve anchors tightened to 50Nm (or as per manufacturer's instruction). Ensure bench remains level during fixing process.

## IMPORTANT NOTE:

Ensure that stainless steel is protected during site cutting of stone – contamination from disc cutters will produce corrosion on stainless steel components.

