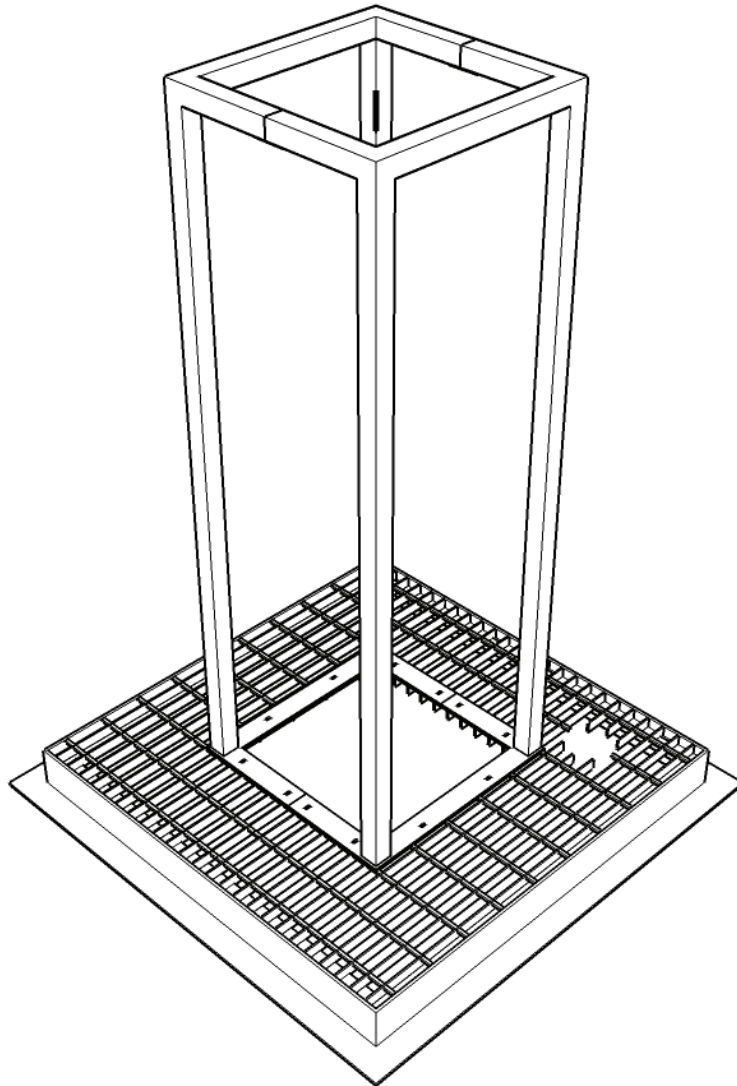




Factoryfurniture

SKOP tree guard & grille



Operation & Maintenance Manual

Introduction

Design

Design, shop drawings and development by Factory Furniture Ltd

Manufacture

Factory Furniture manufactured components. Products are assembled in Factory workshops, checked and dispatched ready for installation. Replacement products or components thereof should be ordered direct from Factory Furniture Ltd

Copyright

The design copyright for the product and drawing copyright remains the sole property of Factory Furniture Ltd

General Specifications

Skop Tree Guard & Grille

Metric length 1130mm | width 1130mm | height 1500mm*

Imperial length 3' 8½" | width 3' 8½" | height 4' 11"

* Not including +100mm below ground level for sub-surface fix

Approx Weight 83kg

Detailed Material & Finish Specifications

Frame

- Manufactured from stainless steel - satin polished finish
- 2 no. stainless steel 'eyes' for securing tree
- Fixed to plate welded to *grille* via 12 no. fixing points

Grille

- Grille and grille frame manufactured from mild steel - hot dipped galvanised finish
- Grille comes in two parts for ease of installation. Each half fixed to grille frame with 4 no. fixing points
- Grille frame is root fixed 100mm below ground level

General Maintenance *(Recommended Schedule & Guidelines)*

Daily/Weekly/Monthly *(or as adopted)*

Visual checks of frame and grille - check all items for superficial or physical damage.

Three Monthly

Clean all items as detailed below check all fixings are seated correctly.

Six Monthly

Secure all fixings; full clean as detailed below; check that tree guard is firmly secured to the ground

Specific Maintenance Details

Stainless Steel *(polished stainless steel only)*

Clean as required, but at least every three months, using a stainless steel polish and a lint free cloth. To remove ground in dirt, a stainless steel finishing pad may be required.

Galvanised

For general cleaning using a damp cloth and warm soapy water only. Scourers and abrasive cleaners are NOT suitable for this type of finish and may damage it. Before using any cleaning agents to remove graffiti etc. try on a small, inconspicuous area first to avoid causing more unsightly damage.

Repairs

Stainless Steel

Light damage (surface scratches etc.) can be removed using an emery pad (240 grit) and freeing oil such as 'WD40'. Care should be taken to follow the direction of the brushing grain. It is recommended that a trial repair be carried out on an unimportant surface first. No corrosive cleaners or other abrasives should be used. Any contamination, particularly carbon steel scuffs from vehicles, should be quickly removed to avoid corrosion.

Galvanised Surfaces

For light damage to hot dipped galvanised finishes repair using a high performance cold galvanising zinc spray (70% zinc or above). Spray application should be carried out in accordance with approved methods detailed by the product manufacturer. Please note that it is advisable to use professional painters to achieve best results when touching up larger areas.

Heavy Damage

In the event of serious damage to any component, replacements should be ordered from Factory Furniture Ltd. In this event (or if the product needs to be disassembled for any reason), please contact Factory Furniture for detailed technical advice.

Reordering / Spares

Part No.

Item Description

P1020 / 01	1 no. Skop tree guard frame half - two required for complete frame (includes lower ring plate)
P1020 / 02	2 no. Joining plates
P1020 / 03	1 no. Skop tree grille half - two required for complete grille (includes grille ring plate)

Instructions For Reordering

If possible, please specify job name or number at the time of reordering to enable identification of details such as the original species of timber used, stainless steel finishes and polyester powder coat colours etc. In any event where either, additional orders are required, or spares and replacements are required please contact Factory Furniture Ltd. Using the part numbers given above as reference should help us to process your enquiry more efficiently.

Note - All fittings required to assemble ordered parts will automatically be included in the order.

AutoCAD Drawing List

FF1020 / 01	SKOP TREE GUARD & GRILLE	FABRICATION DRAWING
FF1020 / 02	SKOP TREE GUARD & GRILLE	STEEL GUARD PART DETAILS
FF1020 / 03	SKOP TREE GUARD & GRILLE	STEEL GRILLE PART DETAILS

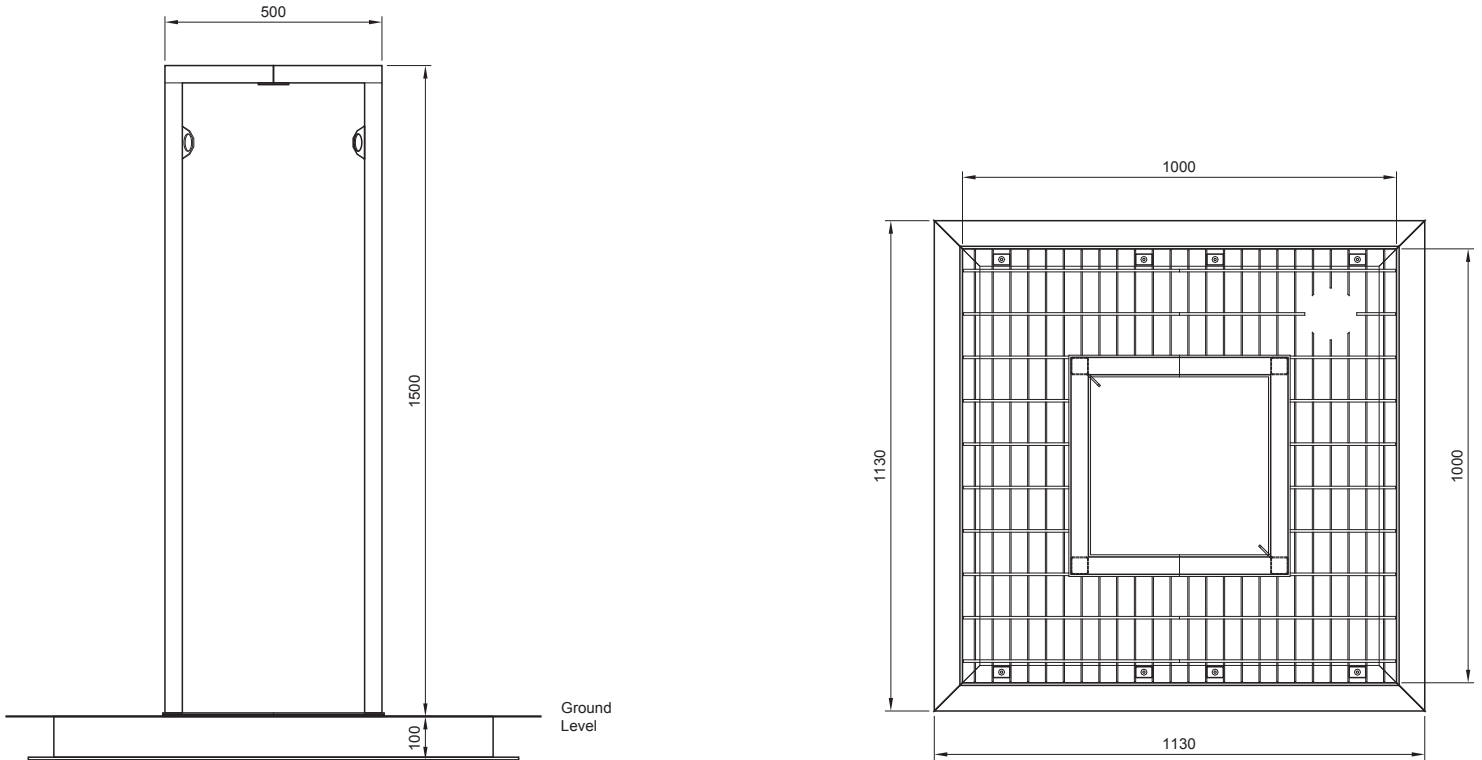
Contacts

Factory Furniture Ltd,
The Stableyard,
Coleshill,
Swindon.
Wiltshire SN6 7PT
U.K.

Tel +44 (0) 1793 763829
Fax +44 (0) 1793 861615
Email sales@factoryfurniture.co.uk
Web www.factoryfurniture.co.uk

Installation Instructions

ALL INSTALLATION WORKS TO BE CARRIED OUT BY COMPETENT PERSONNEL - INSTALL AS COMPLETE UNIT.



Skop tree guard set out

Skop Tree Guard & Grille (sub-surface fix only)

1. Dig appropriate sized hole for tree (approx. two times the width of the tree root ball and the same depth as the ball)
2. Position and correctly orientate tree grille frame centrally over hole so that the top of the frame is at ground level. Ensure that frame is stable
3. Check level of frame & re-instate ground level up to frame edge (ideally setting frame in concrete for stability).
4. Position tree in centre of hole and back fill over root ball. Do not back fill too far over the top of the root ball or this may cause the trunk bark to rot, damaging the tree. Lightly tread down backfill to secure tree.
5. Attach both grille panels to the grille frame using 8 no. M8 x 20mm anti-vandal button headed hex bolts. Tighten to 14Nm.
6. Fix down the two halves of the guard frame onto the grille ring plates using 12 no. M8 x 20mm anti-vandal flat headed hex bolts. Tighten to 14Nm
7. Secure the two halves of the guard frame together at top using the two joining plates. Fix using 2 no. M6 x 10mm anti-vandal csk head bolts per plate. Holes in frame are tapped for easy installation. Tighten - taking care not to strip thread
8. The tree guard fixing eyes can be used to secure the tree trunk if necessary.

IMPORTANT NOTE:

Ensure that stainless steel is protected during site cutting of stone – contamination from disc cutters will produce corrosion on stainless steel components.

