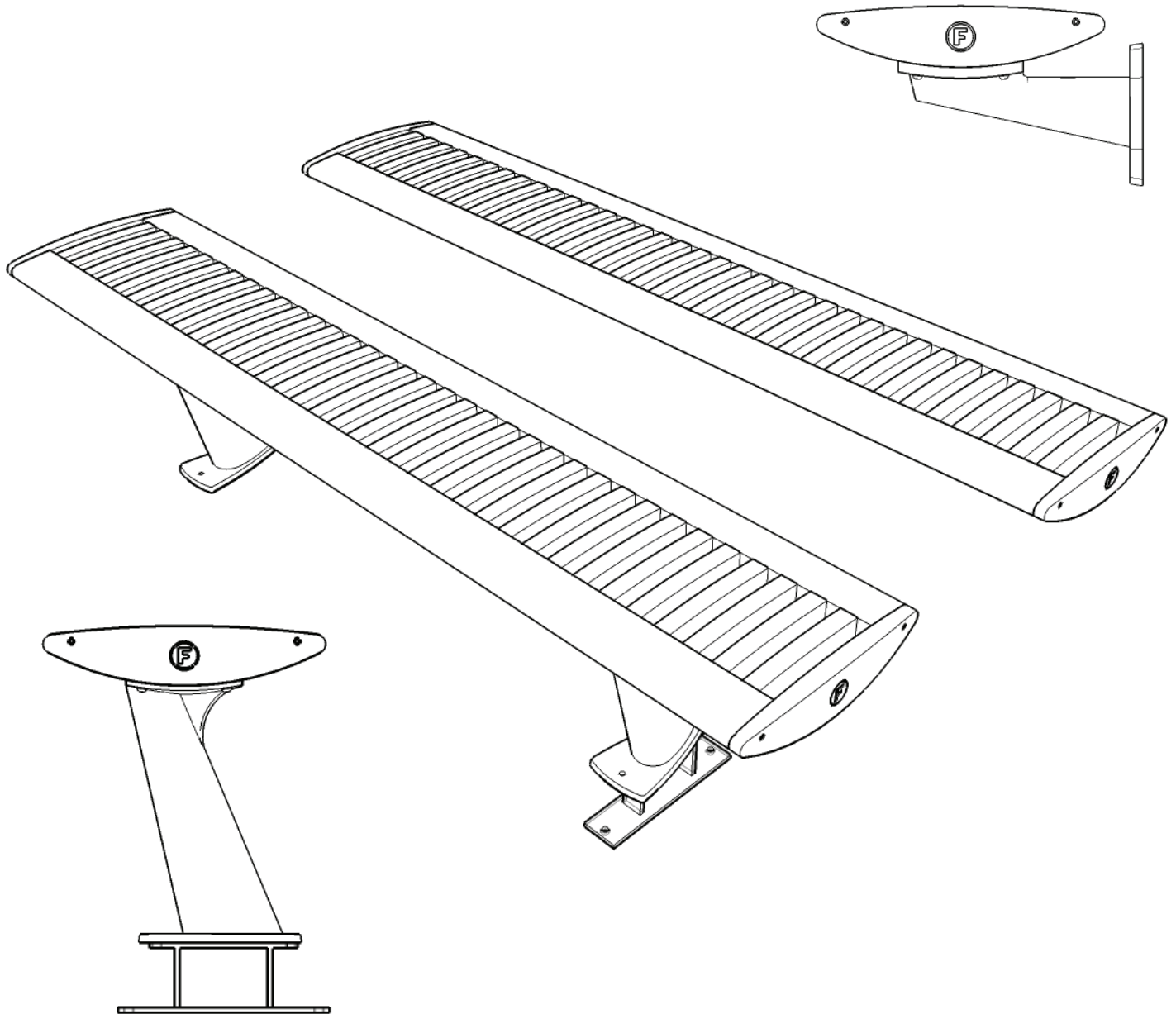




**Factoryfurniture**

## FOIL bench - wood



# Operation & Maintenance Manual

# Introduction

## Design

Design, shop drawings and development by Factory Furniture Ltd

## Manufacture

Factory Furniture manufactured components. Products are assembled in Factory workshops, checked and dispatched ready for installation. Replacement products or components thereof should be ordered direct from Factory Furniture Ltd

## Copyright

The design copyright for the product and drawing copyright remains the sole property of Factory Furniture Ltd

# General Specifications

## Bench (Floor fix)

*Metric* length 2010mm | width 400mm | height 450mm\*

*Imperial* length 6' 7" | width 1' 3½" | height 1' 5½"

\*Not including 100mm anchor below ground level if required

**Approx weight** 50kg (54kg including 2 x anchors)

**Fixing centres** *Surface fix* - 1265mm (4' 2") x 190mm (7½")  
*Anchor* - 1265mm (4' 2") x 270mm (10½")

## Bench (Wall fix)

*Metric* length 2010mm | width 455mm | height 250mm\*\*

*Imperial* length 6' 7" | width 1' 6" | height 10"\*\*\*

\*\*Ideally fitted with upper surface @ 450mm (1' 5½") above gnd lvl

**Approx weight** 49kg

**Fixing centres** 1265mm (4' 2") between base centres  
Base holes 75mm (3") x 140mm (5½")

# Detailed Material & Finish Specifications

## Seat top

- Slats and front and rear edge are manufactured from FSC® certified tropical hardwood (*other FSC certified timber options available upon request*).
- Slats are profiled and left untreated as standard (*oil or microporous woodstain treatment available on request*).
- End caps manufactured from cast aluminium - polyester powder coated finish (*powder coat colour grey as standard or to customer specification*).
- Supported on two bases (*see options below*) attached with 4 no. fixing points per base.

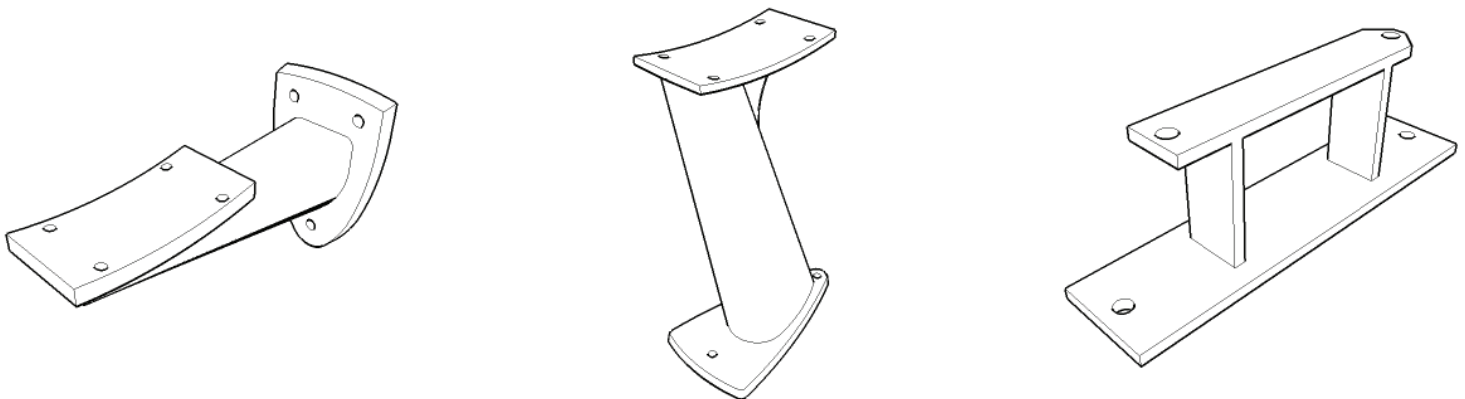


## Bases - Floor fix

- Manufactured from cast aluminium - polyester powder coated finish (*powder coat colour grey as standard or to customer specification*).
- Anchored via 2 no. resin fixed M10 x 200mm threaded rods and cap nuts per base (surface fix) or 2 no. M8 x 30mm stainless steel bolts fixing to sub-surface anchor.
- Sub-surface anchor (*optional*) manufactured from mild steel with a hot dip galvanised finish. Anchored to foundation pad using 2 no. zinc-coated M10 x 75mm sleeve anchors per anchor.

## Bases - Wall fix

- Manufactured from cast aluminium - polyester powder coated finish (*powder coat colour grey as standard or to customer specification*).
- Anchored via 3 no. resin fixed M10 x 200mm threaded rods and cap nuts per base.



Base Options (from left to right) Wall fix, Floor fix, Sub-surface anchor (optional)

---

## General Maintenance *(Recommended Schedule & Guidelines)*

### **Daily/Weekly/Monthly** *(or as adopted)*

Visual checks of seat top and bases - check all items for superficial or physical damage.

### **Three Monthly**

Clean all items as detailed below check all fixings are seated correctly; inspect timber for serious damage and splinters.

### **Six Monthly**

Secure all fixings; full clean as detailed below; check that bench is firmly secured to the ground

## Specific Maintenance Details

### **FSC Timber**

Clean with a stiff brush once per year, especially in more exposed locations, in order to prevent a verdigris type build up on the timber surface. Ideally this should be completed in early spring. During the cleaning stage, all exposed timber surfaces should be inspected for splits and splinters. Any splinters and graffiti should be removed and the surface sanded with 100 grit sandpaper in order to remove any uneven / sharp edges or surfaces.

*During the first few months after installation the tannin naturally occurring in the timber may leach out and cause a brown staining on the bases. This may be removed with a light solution of household bleach and water.*

### **Polyester Powder Coated & Galvanised**

For general cleaning using a damp cloth and warm soapy water only. Scourers and abrasive cleaners are NOT suitable for these types of finish and may damage them. Before using any cleaning agents to remove graffiti etc. try on a small, inconspicuous area first to avoid causing more unsightly damage.

## Repairs

### **FSC Timber**

For light damage, please see section on specific maintenance details above. In instances of heavy damage, the timber slat should be replaced. Please order against the part number reference shown at the end of this manual.

### **Galvanised Surfaces**

For light damage to hot dipped galvanised finishes repair using a high performance cold galvanising zinc spray (70% zinc or above). Spray application should be carried out in accordance with approved methods detailed by the product manufacturer. Please note that it is advisable to use professional painters to achieve best results when touching up larger areas.

### **Painted Surfaces** *(Inc. Polyester Powder Coated)*

For light damage (scratches, chips etc.) repair using touch-up paint to match original colour (available from Factory Furniture Ltd). Paint application should be carried out in accordance with approved methods detailed by the paint manufacturer.

Please note that it is advisable to use professional painters to achieve best results when touching up larger areas. Products for respraying larger areas are available from Factory Furniture Ltd.

### **Heavy Damage**

In the event of serious damage to any component, replacements should be ordered from Factory Furniture Ltd. In this event (or if the product needs to be disassembled for any reason), please contact Factory Furniture for detailed technical advice.

---

## Reordering / Spares

<b>Part #</b>	<b>Item Description</b>
P1003/01	1 no. Foil bench wood seat top unit (not including aluminium end caps)*
P1002/04	1 no. Foil bench aluminium end cap*
P1003/05	1 no. Foil bench floor fix base*
P1003/06	1 no. Foil bench wall fix base*
P1003/07	1 no. Foil bench sub-surface anchor

*\*Please specify original polyester powder coat colour when placing order*

### Instructions For Reordering

If possible, please specify job name or number at the time of reordering to enable identification of details such as the original species of timber used, stainless steel finishes and polyester powder coat colours etc. In any event where either, additional orders are required, or spares and replacements are required please contact Factory Furniture Ltd. Using the part numbers given above as reference should help us to process your enquiry more efficiently.

Note - All fittings required to assemble ordered parts will automatically be included in the order.

## AutoCAD Drawing List

FF1003 / 01	FOIL BENCH (WOOD)	FABRICATION DRAWING
FF1003 / 04	FOIL BENCH (WOOD/STEEL)	FABRICATION DRAWING BASE OPTIONS
FF1003 / 05	FOIL BENCH (WOOD/STEEL)	SETTING OUT DRAWING

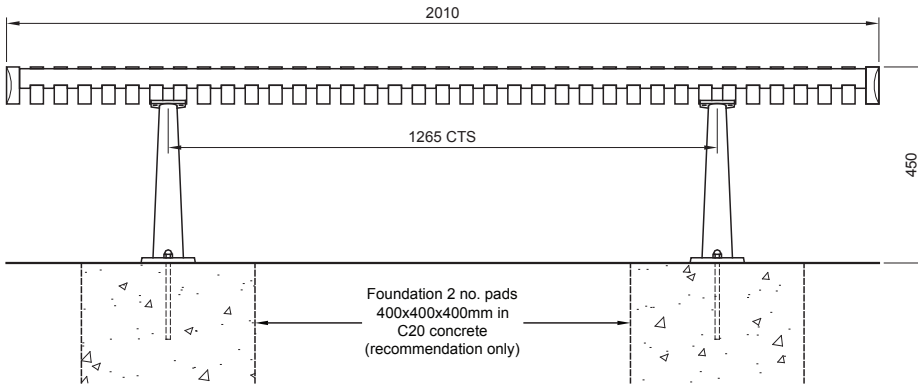
## Contacts

Factory Furniture Ltd  
The Stableyard  
Coleshill  
Swindon  
Wiltshire  
SN6 7PT  
U.K.

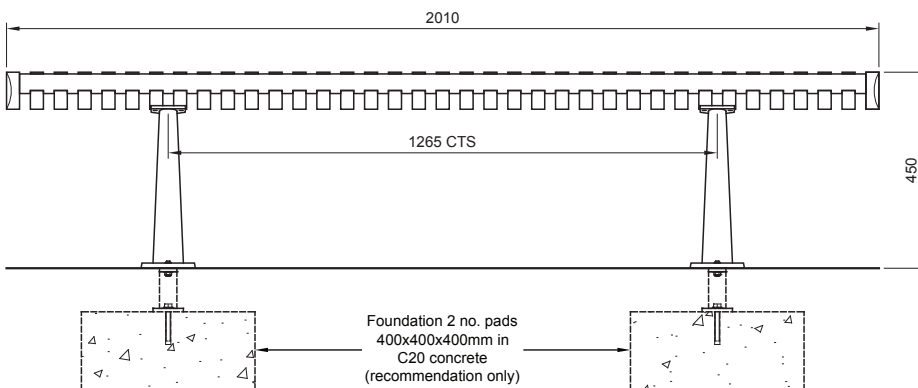
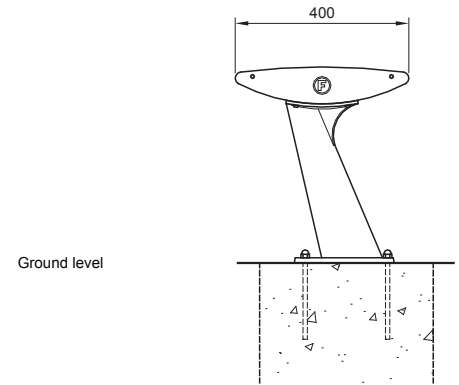
Tel +44 (0) 1793 763829  
Fax +44 (0) 1793 861615  
Email [sales@factoryfurniture.co.uk](mailto:sales@factoryfurniture.co.uk)  
Web [www.factoryfurniture.co.uk](http://www.factoryfurniture.co.uk)

# Installation Instructions

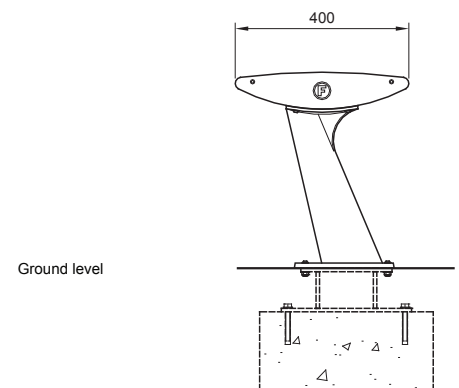
**ALL INSTALLATION WORKS TO BE CARRIED OUT BY COMPETENT PERSONNEL - INSTALL AS COMPLETE UNIT.**



Floor fix (*surface fix*)

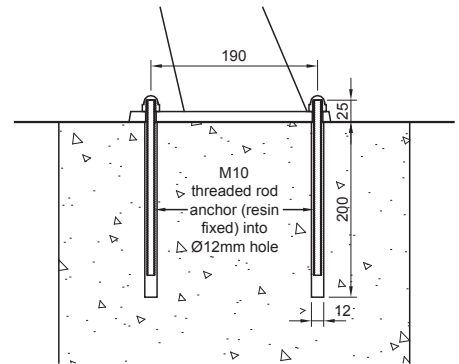


Floor fix (*sub-surface fix*)

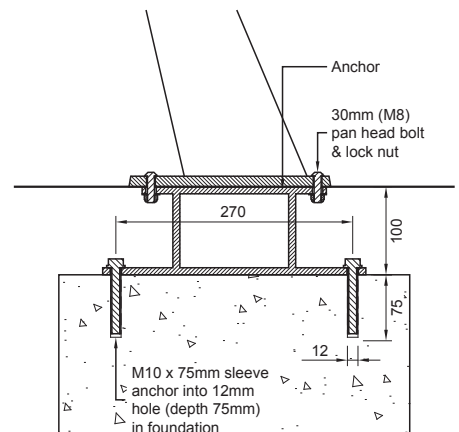


## Foil bench (wood) - Floor fix (*surface & sub-surface anchor fix*)

1. Install suitable foundation with top face at ground level or 100mm below finished ground level for sub-surface fix.
2. Unpack pair of bases and attach to the seat using the 8 no. M8 dome nuts and tighten to 14Nm. For surface mount attach an anchor to each base using the 8 no. M8 dome bolts and tighten to 14Nm.
3. Position bench in correct orientation on centre of foundation pads, then mark hole positions through base plates (or anchor plates).
4. Remove the bench; drill holes  $\text{\O}12\text{mm}$  x 200mm deep (surface fix) or  $\text{\O}12\text{mm}$  x 75mm deep (sub-surface fix) or as manufacturer's recommendations.
5. Clear debris from holes.
- 6a. (*Surface fix*) Fill the holes to within approximately 35mm from the top with Hilti HY150 resin (or similar). Lift the seat (with threaded anchor rods/capnuts in place) and carefully lower the anchors into the holes, leave for two hours before using.
- 6b. Using a torque wrench, tighten nuts and washers over flange plates to 30Nm to hold down the bench.
7. (*Sub-surface fix*) Reposition bench unit and fix to foundation pads using 4 no. zinc-coated M10 x 75mm sleeve anchors tightened to 50Nm (or as per manufacturer's instruction). Ensure bench remains level during fixing process.
8. Check level & re-instate ground level if necessary (*sub-surface fix*).



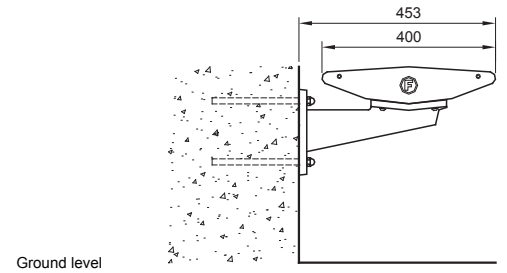
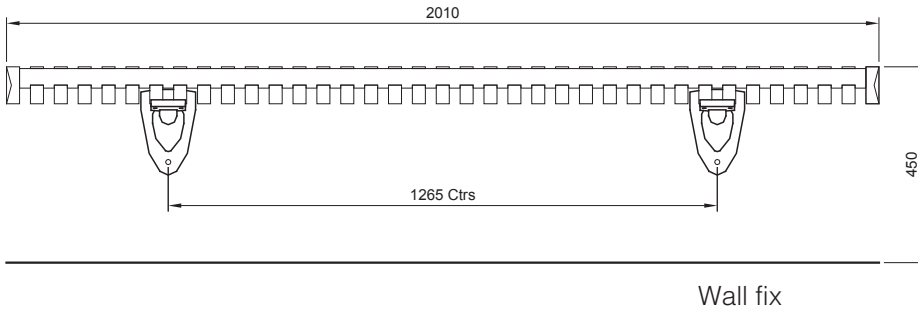
Surface fix



Sub-surface fix

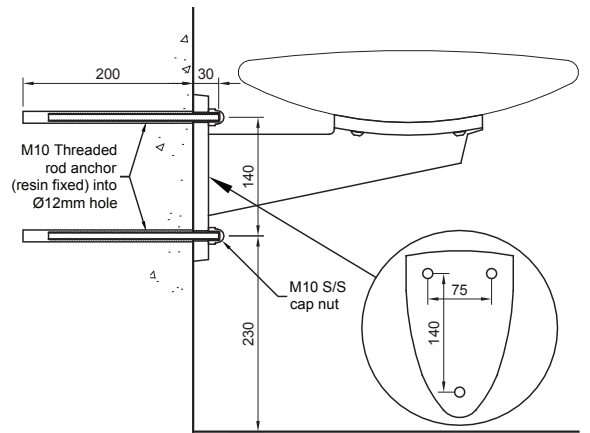
# Installation Instructions

**ALL INSTALLATION WORKS TO BE CARRIED OUT BY COMPETENT PERSONNEL - INSTALL AS COMPLETE UNIT.**



## Foil bench (wood) - Wall fix

1. Prepare suitable wall surface - suitable substrates include concrete, brick, stone or similar
2. Unpack pair of bases and attach to the seat using the 8 no. M8 dome nuts and tighten to 14Nm
3. Position bench in desired position on wall, then mark hole positions through base plates.
4. Remove the bench; drill holes  $\text{\O}12\text{mm}$  x 200mm deep
5. Clear debris from holes.
6. Fill the holes to within approximately 35mm from the opening with Hilti HY150 resin (or similar). Lift the seat (with threaded anchor rods/capnuts in place) and carefully push the anchors into the holes. Securely prop seat in position and leave for two hours before using.
7. Using a torque wrench, tighten nuts and washers over base plate to 30Nm to secure the bench ensuring that it remains level.



Floor fix (sub-surface fix)